

Patents, Designs, and Trade Marks

SUPPLEMENT

TO THE

NEW ZEALAND GAZETTE

OF

THURSDAY, OCTOBER 29, 1908.

Published by Authority.

WELLINGTON, THURSDAY, OCTOBER 29, 1908.

CONTENTS.

	Page
Complete Specifications and Drawings open to Inspection	2761
International and Intercolonial Arrangements for the Mutual Protection of Patents and Trade Marks ..	2762
Patent Publications in New Zealand	2762
Books and Documents open to Inspection at Patent Office, Wellington	2762
Official Publications	2763
Local Patent Offices	2763
Name Index of Patents, 1861-1889	2763
Foreign Patent Laws	2763
Applications for Letters Patent filed	2763
Complete Specifications filed after Provisionals ..	2764
Complete Specifications accepted	2764
Provisional Specifications accepted	2769
Letters Patent sealed	2769
Letters Patent on which Fees have been paid ..	2769
Subsequent Proprietors of Letters Patent registered ..	2770
Applications for Letters Patent abandoned ..	2770
Applications for Letters Patent void	2770
Letters Patent void	2770
Design expired	2770
Applications for Registration of Trade Marks ..	2771
Trade Marks registered	2778
Applications for Trade Marks withdrawn	2779
Applications for Trade Marks opposed	2779
Trade Mark Renewal Fees paid	2779
Trade Marks removed from the Register	2779
Quarterly List of Inventors	2780
Quarterly List of Inventions*	2790
Quarterly List of Trade Marks Applicants* ..	2802
Quarterly List of Designs Applicants*	2802

Complete Specifications and Drawings open to Inspection at Auckland, Dunedin, and Christchurch.

COPIES of the complete specifications and drawings advertised in the *Gazette* will be sent for public inspection to the

LOCAL PATENT OFFICES
IN THE
SUPREME COURT BUILDINGS

in the following towns on or about the dates mentioned:—

Auckland.

Gazette No. 85, of the 29th October. 4th November to 18th November, inclusive.

Dunedin.

Gazette No. 85, of the 29th October. 25th November to 9th December, inclusive.

Gazette No. 79, of the 15th October. 11th November to 25th November, inclusive.

Gazette No. 75, of the 1st October. 27th October to 10th November, inclusive.

Christchurch.

Gazette No. 85, of the 29th October. 14th December to 23rd December, inclusive.

Gazette No. 79, of the 15th October. 1st December to 15th December, inclusive.

Gazette No. 75, of the 1st October. 14th November to 23rd November, inclusive.

Gazette No. 72, of the 17th September. 31st October to 24th November, inclusive.

[NOTE.—The office can take no responsibility if from any cause the specifications are not so available.]

* Alphabetical lists of the preceding quarters of the year 1908 appear in *Gazettes* No. 37, of the 12th May, 1908; No. 65, of the 20th August, 1908.

International and Intercolonial Arrangements for the Mutual Protection of Patents and Trade Marks.

INTERNATIONAL CONVENTION.

THE following countries now belong to the Convention :—

Australia.	Italy.
Belgium.	Japan.
Brazil.	Mexico.
Ceylon.	New Zealand.
Cuba.	Norway.
Denmark and Faroe Islands.	Portugal, with the Azores and
Dominican Republic.	Madeira.
France, with Algeria and	Servia.
Colonies.	Spain.
Germany.	Sweden.
Great Britain.	Switzerland.
Holland, with East Indian	Tunis.
Colonies, Curaçoa, and	United States of America.
Surinam.*	

* Trade marks only.

Separate arrangements have been made between Australia and New Zealand.

Particulars of the Convention and of such arrangements may be seen in the following *Gazettes* :—

Notification of adhesion of New Zealand to the Convention, with text thereof (in English), in the *Gazette* of 26th November, 1891; notification of adherence of New Zealand to the Additional Act of the Convention, with text (in English), of such Additional Act, in Patents Supplement to *Gazette* No. 101, of the 16th November, 1905; Order in Council applying section-103 of the Imperial Act to New Zealand, in *Gazette* No. 27, of the 15th May, 1890; Orders in Council containing arrangements between Australia and New Zealand, in Patent Supplements to the *Gazette* Nos. 22 of the 9th March, 1905, and 38 of the 20th April, 1905.

Patent Publications in New Zealand.

THE following publications relating to Patents for inventions, &c., are open to inspection in the Dominion :—

WELLINGTON.—PATENT OFFICE LIBRARY.

United Kingdom.

The full text of the specifications and complete drawings of inventions patented from the year 1617 up to the 11th June, 1908.

Classified illustrated abridgments of inventions from 1855 to 1905 and part of 1906.

Illustrated Official Journal, containing lists of recent applications, abridgments of inventions for which patents have been lately granted, patents void, &c., to September, 1908.

Index of Applicants.

Subject-matter Index.

Commissioner of Patents Journal, &c.(^a).

Trade Marks Journal to May, 1908.

Canada.

Patent Office Record (containing illustrated abridgments of inventions, &c.) to March, 1908.

Australia.

The full text of the specifications and complete drawings in respect of applications accepted from the 11th January, 1906, to the 3rd March, 1908, inclusive.

The Official Journal of Patents of the Australian Commonwealth (containing lists of applications for letters patent, abridgments of complete specifications accepted, &c.).

The Australian Official Journal of Trade Marks (containing lists of applications for registration of trade marks, &c.).

Specifications, drawings, abridgments, and indexes of Victoria, New South Wales, Queensland, and South Australia(^b).

United States.

The full text of the specifications and drawings for the year 1905.

The Official Gazette of the United States Patent Office (containing illustrated abridgments of specifications, &c.) to September, 1908.

Mexico.

The Official Gazette of the Patent and Trade Mark Office.

(^a) Discontinued.

(^b) In arrears. Not now being printed.

General.

La Propriété Industrielle (the official organ of the International Bureau of the Union for the Protection of Industrial Property).

Patent laws of the world.

Patent and Trade Mark Review.

Text-books and handbooks on patents and trade marks.

AUCKLAND.—PUBLIC LIBRARY.

United Kingdom.

Classified abridgments of inventions from 1855 to 1904.
Illustrated Official Journal from 1897 to date.

Canada.

Patent Office Record (containing illustrated abridgments of inventions, &c.) from 1897 to date.

Australia.

The Official Journal of Patents from 1905 to date.

United States.

The Official Gazette of the United States Patent Office (containing illustrated abridgments of specifications, &c.) from 1885 to 1887 and 1890 to 1895.

CHRISTCHURCH.—PUBLIC LIBRARY.

United Kingdom.

Classified abridgments of inventions from 1855 to 1904.
Illustrated Official Journal from October, 1905, to date.

Canada.

Patent Office Record (containing illustrated abridgments of inventions, &c.) from 1897 to date.

Australia.

The Official Journal of Patents from 1905 to date.

DUNEDIN.—TOWN HALL.

United Kingdom.

Classified abridgments of inventions from 1855 to 1904.
Illustrated Official Journal from October, 1905, to date.

Australia.

The Official Journal of Patents from 1905 to date.

Books and Documents open to Inspection at Patent Office, Wellington.

THE following documents and books are open to public inspection at the Patent Office :—

PATENTS.

(Fee for each search or inspection, not exceeding one hour, 1s.)

1. The files relating to all applications for letters patent in respect of which complete specifications have been accepted.
2. Classified copies of specifications and drawings, with index and key(^a).
3. Register of Applications for Letters Patent.
4. Register of Patents.
5. Register of Subsequent Proprietors of Letters Patent(^b).
6. Index of Patentees(^c).
7. Index of Proprietors of Letters Patent granted prior to 1890(^d).
8. Index of Specifications(^e).

DESIGNS.

(Search fee, 1s. each quarter of an hour.)

1. Register of Designs, with Index of Names of Proprietors.
2. Classified Representations of Designs in respect of which Copyright has expired.
3. Index of Designs.

(^a) Key is in card index.

(^b) This Register contains only names of subsequent proprietors of letters patent granted prior to 1st January, 1890; since that date they appear in Register of Patents.

(^c) Includes all names of applicants, &c., and consists of four volumes to 4th November, 1903, and card index since that date. A separate card index is kept for current quarter.

(^d) The names of proprietors of subsequent letters patent appear in the Index of Patentees.

(^e) Contains classified abridgments of specifications from 1861, with extracts from drawings from July, 1904.

TRADE MARKS.

(Search fee, 1s. each quarter of an hour.)

1. The files relating to all applications for registration of trade marks.
2. Register of Applications for Registration of Trade Marks.
3. Register of Trade Marks.
4. Index of Applicants for Registration of Trade Marks^(a).
5. Index of Trade Marks.
6. Classified Representations of Trade Marks, with indexes.

MISCELLANEOUS.

Register of Patent Agents.

FORMS AND PUBLICATIONS.

The following forms, &c., may be had on application at the Patent Office, Wellington, or at any of the local Patent Offices named below:—

- Application for letters patent.
- Provisional specification.
- Complete specification and copy thereof.
- Application for registration of design.
- Application for registration of trade mark.
- Applications for extension of time.
- Requests by subsequent proprietor to enter name on Register of Patents and Trade Marks.
- Printed sheets of information as to fees and procedure to obtain letters patent and to register a trade mark^(b).
- Pamphlet containing Act and Regulations (price 1s.).

^(a) Names of applicants for registration and proprietors of trade marks are indexed at the beginning of the Registers up to 31st December, 1889; in separate volume up to 5th September, 1904; and since the latter date in card index.

^(b) May also be obtained at any local Patent Office or money-order office.

Official Publications.

THE following publications may be obtained from the Government Printer, Wellington:—

- Printed specifications to the end of the year 1879.
- Annual lists of letters patent and letters of registration applied for, and particulars of applications lapsed, and patents lapsed, from 1880 to 1893 inclusive. (The lists for the last four of these years are contained in the *Annual Reports of the Registrar*.)
- Annual reports of the Registrar, containing alphabetical indexes of applicants for letters patent and of subject-matter of inventions patented from 1894 to 1906 inclusive.
- The Patents Supplement to *Gazette* (containing notifications, applications for letters patent, abridged descriptions and drawings of inventions, &c.), published fortnightly.

Local Patent Offices.

LOCAL Patent Offices for the reception of applications, supply of forms, &c., have been established at the following places:—

- Auckland—Supreme Court. (E. W. Cave, agent.)
- Whangarei. (W. J. Reeve, agent.)
- Thames—Courthouse. (J. Jordan, agent.)
- Waihi—Courthouse. (J. McIndoe, agent.)
- Hamilton—Courthouse. (H. J. Dixon, agent.)
- Gisborne—Courthouse. (G. J. A. Johnstone, agent.)
- New Plymouth—Courthouse. (J. Terry, agent.)
- Napier—Courthouse. (A. Trimble, agent.)
- Wanganui—Courthouse. (C. A. Barton, agent.)
- Taihape—Courthouse. (W. Baker, agent.)
- Palmerston North—Courthouse. (C. J. Hewlett, agent.)
- Masterton—Courthouse. (M. Foley, agent.)
- Nelson—Courthouse. (E. C. Kelling, agent.)
- Blenheim—Courthouse. (F. W. Hart, agent.)
- Westport—Courthouse. (O. E. Bowling, agent.)
- Greymouth—Courthouse. (B. Harper, agent.)
- Hokitika—Courthouse. (J. N. Nalder, agent.)
- Christchurch—Supreme Court. (W. W. Samson, agent.)
- Ashburton—Courthouse. (J. Fitzgerald, agent.)
- Timaru—Courthouse. (T. W. Tayler, agent.)
- Oamaru—Courthouse. (A. A. Mair, agent.)
- Dunedin—Supreme Court. (T. E. Roberts, agent.)
- Clyde—Courthouse. (F. T. D. Jeffery, agent.)
- Gore—Courthouse. (G. H. Lang, agent.)
- Queenstown—Courthouse. (A. J. Thompson, agent.)
- Invercargill—Courthouse. (J. R. Colyer, agent.)

Name Index.—Patents.

Vol. I, 1861 to 1889.

MAY be obtained from the GOVERNMENT PRINTER.

PRICE, 2s. 6d.

Foreign Patent Laws.

THE following Act has been received and may be inspected at this office:—

HONG KONG.

Applications for Letters Patent filed.

LIST of applications for Letters Patent filed. (Where a complete specification accompanies an application an asterisk is affixed; in all other cases a provisional specification has been lodged. In all cases where the applicant is not the inventor the name of the latter appears in italics after the title.)

- No. 25057.—12th October.—J. Mitchell, Auckland, N.Z. Wall-construction.*
- No. 25058.—13th October.—F. Castle, Auckland, N.Z. Fire-alarm.
- No. 25059.—13th October.—E. Bingham, Masterton, N.Z. Cycle-horn, &c., actuator.
- No. 25060.—9th October.—R. J. McDonald, Auckland, N.Z. Shoe.
- No. 25061.—9th October.—B. and W. Trehwella, Trentham, Vic. Roller grip for band-gearing.*
- No. 25062.—9th October.—B. and W. Trehwella, Trentham, Vic. Double-pinion toothed gearing.*
- No. 25063.—9th October.—B. and W. Trehwella, Trentham, Vic. Pawl and ratchet mechanism.*
- No. 25064.—9th October.—R. Millis, Dunedin, N.Z. Tire-protector.
- No. 25065.—9th October.—D. Laing, Dunedin, N.Z. Cigarette.
- No. 25066.—9th October.—J. Gray, Dunedin, N.Z. Wheel.
- No. 25067.—10th October.—R. R. Dunn and A. Whett, Eastbrook, N.Z. Brick-making composition.
- No. 25068.—13th October.—G. M. Scott, Wellington, N.Z. Illuminated advertising device.
- No. 25069.—13th October.—W. J. Parsons, Wellington, N.Z. Step-ladder.
- No. 25070.—13th October.—J. Mitchell, Auckland, N.Z. Wall-construction.*
- No. 25071.—13th October, J. Mitchell, Auckland, N.Z. Building-plaster.*
- No. 25072.—13th October.—H. Croft, Auckland, N.Z. Roundabout.
- No. 25073.—13th October.—L. M. M. Monteath, New Plymouth, N.Z. Flax-preparation.
- No. 25074.—13th October.—W. J. Roebuck, Dunedin, N.Z. Step-ladder.
- No. 25075.—12th October.—W. P. S. Macgregor, Wendon-side, N.Z., and E. C. Reid, Ravensbourne, N.Z. Wire-strainer.
- No. 25076.—12th October.—H. Maighan, Dunedin, N.Z. Raising venetian blinds.
- No. 25077.—10th October.—A. E. Styles, Wendon Valley, N.Z. Dray-brake.*
- No. 25078.—15th October.—T. Gare, New Brighton, Eng. Manufacture of articles from waste rubber.*
- No. 25079.—15th October.—E. V. Schou, Ealing, Eng. Soap manufacture.*
- No. 25080.—15th October.—V. O'Donnell, Willaura, Vic. Rope-making.*
- No. 25081.—15th October.—C. W. Eccleston, Los Angeles, U.S.A. Ore-concentrator.*
- No. 25082.—15th October.—J. A. Powrie, Lower Hutt, N.Z. Poultry- and stock-feeding bin.*
- No. 25083.—15th October.—J. A. Powrie, Lower Hutt, N.Z. Water-strainer.*
- No. 25084.—15th October.—E. Moss, Christchurch, N.Z. Fire-alarm.

- No. 25085.—16th October.—W. G. Richardson, Auckland, N.Z.
Centrifugal machine.
- No. 25086.—16th October.—F. C. Brown, Waihi, N.Z.
Heating metal tools.*
- No. 25087.—19th October.—E. Dahl, Palmerston North, N.Z.
Collapsible cot.
- No. 25088.—15th October.—M. Burns, Tokatoka, N.Z.
Wool-bale grip.
- No. 25089.—17th October.—C. B. M. Branson, Dunedin, N.Z.
Saddle-cover.
- No. 25090.—17th October.—C. Stott and T. W. Brownlee, Brisbane, Q.
Totalisator apparatus.*
- No. 25091.—17th October.—C., C. E., C., and M. Thomson, Winton, N.Z.
Hair-pin.*
- No. 25092.—16th October.—W. Murray, Mokoreta, N.Z.
Spanner.*
- No. 25093.—20th October.—J. C. Oliver, Tauranga, N.Z.
Colander.
- No. 25094.—20th October.—J. M. Collins, J. Low, and A. Burges, Palmerston North, N.Z.
Flax-treating apparatus.*
- No. 25095.—20th October.—J. M. Collins, J. Low, and A. Burges, Palmerston North, N.Z.
Flax-cutocher.*
- No. 25096.—20th October.—J. M. Collins, J. Low, and A. Burges, Palmerston North, N.Z.
Flax-treating apparatus.*
- No. 25097.—16th October.—F. Stubbs, Auckland, N.Z.
Cooking-range hot-water system.
- No. 25098.—19th October.—R. Meek and O. Elliott, Auckland, N.Z.
Billiard-table.
- No. 25099.—19th October.—W. Burrell, Melbourne, Vic.
Rabbit crate.
- No. 25100.—21st October.—Oxychlorides (1907) Limited, London, Eng.
Sewage-treating method and apparatus.*
(A. B. Thomson.)
- No. 25101.—21st October.—T. Edwards, Ballarat, Vic.
Rabble for ore-roasting furnace.*
- No. 25102.—21st October.—P. R. Hughes, Geelong, Vic.
Bale-fastener.*
- No. 25103.—21st October.—United Shoe Machinery Company, Paterson, U.S.A.
Upper-conforming machine. (O. Ashton.)
- No. 25104.—21st October.—United Shoe Machinery Company, Paterson, U.S.A.
Press. (A. Bates.)
- No. 25105.—21st October.—J. de Irabien, Buenos Aires, Argentine.
Air-current turbine.*
- No. 25106.—21st October.—J. McMullen, Makuri, N.Z.
Mail-bag deliverer and receiver.
- No. 25107.—21st October.—E. W. Hursthouse, Wellington, N.Z.
Lamp pillar.
- No. 25108.—21st October.—E. W. Hursthouse, Wellington, N.Z.
Steam-cooking apparatus.
- No. 25109.—17th October.—H. M. Keesing, Auckland, N.Z.
Air-tank for gas-manufacture.
- No. 25110.—20th October.—Henry Simon, Limited, Manchester, Eng.
Flour milling and conditioning.* (L. M. Thomas.)
- No. 25111.—19th October.—F. D. McLeod, Grey Lynn, N.Z.
Corrosion-preventing solution.
- No. 25112.—20th October.—J. A. Harriss, New York, U.S.A.
Mail receiving and delivering apparatus.*
(J. S. Lanier.)
- No. 25113.—22nd October.—W. L. Imlay, Conestoga, U.S.A.
Filter.*
- No. 25114.—22nd October.—J. Sweeney, Coromandel, N.Z., and J. Kidd, Auckland, N.Z.
Condenser.
- No. 25115.—22nd October.—Auckland Sewing Machine Company, Limited, Auckland, N.Z.
Sewing-machine.* (W. T. Auckram.)
- No. 25116.—22nd October.—A. Ferguson, Wellington, N.Z.
Waste-paper basket.
- No. 25117.—22nd October.—National Cash Register Company, Dayton, U.S.A.
Cash and credit register.* (E. S. Church.)
- No. 25118.—20th October.—S. D. McMiken, Komata, N.Z.
Metallurgical furnace.
- No. 25119.—23rd October.—P. H. Le Cornu, Adelaide, S.A.
Combination bedroom furniture.*
- No. 25120.—23rd October.—W. C. Bray, Adelaide, S.A.
Cart note-case.*
- No. 25121.—21st October.—F. Oakden, Dunedin, N.Z.
Lime-burning process.* (E. Schmatolla.)
- No. 25122.—21st October.—F. Oakden, Dunedin, N.Z.
Lime-burning kiln.* (E. Schmatolla.)
- No. 25123.—21st October.—F. Torrington, Auckland, N.Z.
Plunger for regulating pressure of aerated waters.
- No. 25124.—20th October.—J. G. O'Brien, Wanganui, N.Z.
Gas-stove boiler.*
- No. 25125.—26th October, 1908.—W. H. Trengrove and H. E. Dovey, Wellington, N.Z.
Finger-protecting sewing-shield.
- No. 25126.—23rd October.—J. Gray, Dunedin, N.Z.
Means for lubricating wheels.
- No. 25127.—26th October.—J. C. Koiler, Doorfontein, Transvaal.
Extraction of metals from ores.

Complete Specifications filed after Provisionals.

LIST of complete specifications filed after provisional specifications, from the 12th to the 26th October, 1908, inclusive:—

- No. 23919.—W. J. Roebuck, adjustable foot for ladder.
No. 23926.—D. Garner-Jones, folding-chair.
No. 23929.—B. W. Benn, milking-machine.
No. 23975.—United Shoe Machinery Company, boot, &c., machine. (A. Bates.)
No. 23976.—United Shoe Machinery Company, punching and eye-letting machine. (A. E. Jerram and J. Gould-bourn.)
No. 24025.—D. W. Dike, milking bucket attachment.
No. 24034.—J. Blake, teat-cup of milking machine.
No. 24066.—R. Tacon, spark-arrester.
No. 24820.—P. V. L. Alkemade, glass-cleaner.
No. 24897.—W. R. Lyttleton, music-leaf turner.

Notice of Acceptance of Complete Specifications.

Patent Office,
Wellington, 28th October, 1908.

COMPLETE specifications relating to the undermentioned applications for Letters Patent have been accepted, and are open to public inspection at this office. Any person may, at any time within two months from the date of this Gazette, give me notice in writing of opposition to the grant of any such patent. Such notice must set forth the particular grounds of objection, and be in duplicate. A fee of 10s. is payable thereon.

No. 23585.—14th October, 1907.—HENRY AUGUST FREDRIK STEFFENS, of Christchurch, New Zealand, Farmer. Improved construction of seed-sower.*

Claims.—(1.) In seed-sowers, the combination with a rotating disc having notches in its periphery, of a seed-hopper provided with a floor sloping downwards to the rear of the hopper, and with a vertical slot in the floor of the hopper adapted to permit of portion of the disc passing into the hopper, substantially as and for the purposes specified. (2.) The improved construction of seed-sower, substantially as described and explained, and for the several purposes set forth.

(Specification, 3s. 3d.; drawing, 1s.)

No. 23621.—18th October, 1907.—JAMES THOMAS HUNTER, of Queen's Chambers, Wellington, New Zealand, Patent Agent (nominee of Isabella Charles, of Dunedin, New Zealand, Teacher of Dresscutting). Improvements in or relating to dresscutting-charts.*

Claims.—(1.) A sleeve-drafting chart, characterized by having curves and markings formed and arranged to provide for full sleeves being drafted, substantially as specified, and as illustrated in the drawings. (2.) In a sleeve-drafting chart such as that referred to in claim 1, the provision upon such chart of a cuff-drafting chart, substantially as specified.

(Specification, 1s. 6d.; drawing, 1s.)

No. 23832.—16th December, 1907.—THOMAS JOHN CAHILL, of Auckland, New Zealand, Labourer. Means for automatically actuating the emergency brakes of tram-cars.*

Claims.—(1.) Means for automatically actuating the emergency brakes of tram-cars, the same consisting of connections between the fender or life-guard and the brake spindle or handle, by means of which the backward movement of such fender will actuate the brake-spindle. (2.) In means for automatically actuating the emergency brakes of tram-cars, the combination with a fender or life-guard pivoted at a short distance from its top, of a crank upon the brake-spindle, and a flexible connection between such crank and the top edge of the fender or life-guard, substantially as specified.

(Specification, 3s. ; drawing, 1s.)

No. 23937.—23rd January, 1908.—GEORGE RICHARDSON, of Auckland, New Zealand, Importer. An improved illusion apparatus and observation-car, and the means of working same.*

Claim.—The arrangement, construction, and combination in an illusion apparatus and observation-car of the representation of a railway-station front, a long car-like structure fitting closely thereto, with an inclined floor carrying two rows of seats with aisle-way in centre; front end of said car being open, with screen fitting closely thereto; said car being supported by inverted triangular frames with bosses working into bearer-sockets secured to bearer-plates, to the ends of which bearer-plates are secured and braced two uprights to which are secured spiral springs which are also attached to the car-floor, said car being rocked and actuated by a horizontal shaft fitted to the central uprights on bearer-plates carrying two oblong rockers eccentrically and reversely to one another, which rockers engage respectively two friction-rollers secured to the under-side of the floor of the car: all for the purposes above set forth, substantially as described, and illustrated by the drawings.

(Specification, 5s. ; drawing, 1s.)

No. 24142.—13th March, 1908.—CARL FRIEDRICH MARTIN CHRISTIAN ERHARDT, of C. Erhardt and Co., Limited, of 26 Southwark Bridge Road, London, England. Improvements in cuff-protectors.

Claims.—(1.) A cuff-protector provided with an extension piece, or a pair of such extension pieces, arranged to telescope and slide within the ends of the protector. (2.) A cuff-protector, according to claim 1, constructed, arranged, and operating substantially as described with reference to Figs. 1 and 2 of the drawings. (3.) A cuff-protector, according to claim 1, constructed, arranged, and operating substantially as described with reference to Fig. 3 of the drawings. (4.) A cuff-protector, according to claim 1, constructed, arranged, and operating substantially as described with reference to Fig. 4 of the drawings.

(Specification, 2s. 6d. ; drawing, 1s.)

No. 24645.—11th July, 1908.—OSCAR JAMES SEEHAUSEN, of 930 North Halsted Avenue, Chicago, Illinois, United States of America, Gentleman. Improved apparatus for the generation of gas from liquid hydrocarbons.

Claims.—(1.) The combination of a generator, a casing therefor, consisting of an inner and an outer shell providing an air-space, the outer shell having openings for permitting a circulation of air through the said space. (2.) The combination of a generator, including a burner, a casing composed of an inner and an outer shell forming an air-space, a fuel-supply pipe passing through the casing to supply the generator, an air-supply pipe leading into the casing, and a service-pipe connected with the generator and passing out of the casing. (3.) The combination of a generator with a casing composed of an inner and outer shells, means for supporting the inner shell on and spacing it from the outer shell, and a door for the casing. (4.) In a generator, the combination of a vaporiser, a burner arranged to heat the same, a mixing-device, a plurality of by-passes leading from the mixing-device to the burner, and controllable means for varying the supply of mixture to the burner.

[NOTE.—Here follow eight other claims.]

(Specification, 8s. ; drawing, 3s.)

No. 24652.—13th July, 1908.—CHARLES GODFREY WHITAKER, Engineer, and VICTOR WHITLEY, Inventor, both of Christchurch, New Zealand. Improvement in the crates for carrying eggs.

Claim.—In egg-crates, spring or other elastic supports arranged on the inside of the crate and between it and the egg-carrying trays, substantially as specified, and for the purpose indicated.

(Specification, 1s. 3d.)

No. 24711.—6th April, 1908.—FREDERICK SAMUEL GREER, of No. 7 Market Street, Sydney, New South Wales, Australia, Engineer. Improvements in the production of visible gas, specially useful for testing earth-pipes and rabbit-burrows.

[NOTE.—This is an application under section 106 of the Act, the date given being the official date of the application in the Commonwealth of Australia.]

Claims.—(1.) Improvements in the production of visible gas, consisting in bringing together muriatic-acid-laden air and ammonia-gas-laden air. (2.) Improvements in the production of visible gas, consisting in charging air with the fumes of muriatic acid and charging air with ammonia-gas and bringing the resultants together, substantially as described.

(Specification, 2s.)

No. 24908.—9th September, 1908.—FREDERICK WALTON, of 114 Holborn, London, England, Engineer. Improvements in or relating to road-vehicle-suspension arrangements.

Extract from Specification.—According to this invention, the springs employed are of the pneumatic-cushion type, but instead of obtaining the resiliency solely by the displacement of the air, and the variation in the air-pressure caused by the change in the cross-sectional shape of the cushion when subjected to a vibratory force, I employ air or other fluid confined under pressure in a flexible vessel or chamber for maintaining the same in a normal position, and utilise the resiliency occasioned by the resistance offered by such vessel or chamber to deflection or bending movement, or to any departure from its normal position, for enabling the vessel or chamber to act in the capacity of a pneumatic or fluid-pressure spring. By this means a wider range of action is obtained for taking up shocks or vibrations, a considerably lower pressure can be employed, whereby a softer and easier yielding movement is obtained, and a single fluid-pressure spring is capable of acting in the capacity of a deflection spring for absorbing all ordinary shocks and vibrations, and of a combined deflection and compression spring for absorbing abnormal shock or vibration. This effect has hitherto only been obtained by the employment of two sets of springs in the manner above set forth.

[NOTE.—The above extract from the specification is inserted in place of the claims.]

(Specification, 10s. ; drawing, 2s.)

No. 24913.—10th September, 1908.—CHARLES BOWTELL SMITH, of Crawford Street, Dunedin, New Zealand, Printer. Improved rotary sales-book-printing machine.

Claims.—(1.) In combination, in a rotary printing-machine, groups of numbering-wheels on spindles carried by rotary discs and operated by star wheels and pinions, substantially as shown. (2.) In combination, a rotary printing-machine, numbering-wheels and mechanism for printing, indicating-bars printed in varying steps on invoices or their duplicates, substantially as set forth, and as shown on the drawing. (3.) In combination, a rotary printing-machine, numbering-wheels, mechanism for printing indicating-bars, a plate and adjustable rods for making folds in a running length of paper, all substantially as set forth. (4.) In combination, a rotary printing-machine, numbering-wheels, indicating-bar rollers printing bars in steps, folding-plate for double-folding with its adjustable bars, and an intermittently revolving delivery-box, all substantially as set forth. (5.) The machine as set forth, to print, number, index-mark, perforate, and cut duplicate sales-books automatically from a reel of paper, all substantially as shown and described and explained.

(Specification, 7s. 6d. ; drawing, 2s.)

No. 24922.—15th September, 1908.—THE FRIESE-GREENE PATENTS, LIMITED, of 64 Victoria Street, Westminster, London, England, Manufacturers (assignees of William Friese-Greene, of 203 Western Road, Brighton, Sussex, England, Photographer). Improvements in and relating to cinematographic apparatus.

Claims.—(1.) In cinematographic apparatus, a translucent screen adapted to be travelled between the film and the lens in such manner that successive exposures or projections are effected through successive colour-divisions of said translucent screen, for the purpose set forth. (2.) A translucent screen, as claimed in claim 1, divided into successive series of primary colours and adapted to be intermittently travelled simultaneously with and adjacent to the sensitised film or film provided with photographs, between each period of exposure, substantially as and for the purposes set forth. (3.) A method of reproducing animated pictures in the natural colours, consisting in effecting successive projections through successive colour-divisions of a continuously travelling translucent film or screen placed adjacent to the film, substantially as set forth. (4.) A transparency bearing a picture or a series of pictures adapted, when placed adjacent to a translucent screen coloured with successive series of primary colours and projected upon a screen, to represent objects in their natural colours. (5.) In cinematographic apparatus, the employment of two films, whereof the one is divided into successive series of primary colours, and the other is sensitised orthochromatically, or provided with photographs, whereby to receive or transmit a series of images, said films being juxtaposed and adapted to be travelled relatively to the lens, substantially as described.

(Specification, 5s. 6d.; drawing, 2s.)

No. 24954.—21st September, 1908.—JAMES EDWIN MAIN, of Christchurch, New Zealand, Engineer. An improved machine for trimming the edges of grass lawns and the like.

Claims.—(1.) The improved machine for trimming the edges of grass lawns and the like, characterized by having a fixed vertical blade attached to a running frame, and a number of rotating blades adapted to rotate in a vertical plane down and across the surface of the fixed blade from the front edge thereof, and means whereby the movement of the running wheel will actuate the rotating blades. (2.) In machines for trimming the edges of grass lawns and the like of the class referred to in claim 1, a horizontal spindle carried by the frame and geared with the running wheel, a fixed vertical blade attached to the frame and depending from one side thereof, and a number of blades secured upon the outer end of the spindle and adapted, when rotated, to pass down and across the front of the fixed blade, substantially as specified. (3.) The general arrangement, construction, and combination of parts in my improved machine for trimming the edges of grass lawns and the like, substantially as described and explained, as illustrated in the drawings, and for the several purposes set forth.

(Specification, 2s. 9d.; drawing, 1s.)

No. 24958.—22nd September, 1908.—JOHN AVIS PANNETT, of Christchurch, New Zealand, Farmer. Improved means for use in draining the waters of lakes and lagoons into the sea.

Claims.—(1.) Means for the purpose indicated, consisting of the combination with an outflow culvert, of a chamber arranged at the end of the culvert, closed at its outer end, and formed with an opening extending longitudinally along the bottom thereof, and doors hinged above such opening and adapted to cover it, substantially as specified. (2.) Means for the purpose indicated, consisting of, in combination, an outflow culvert, a chamber at the end of such culvert provided with a closed end and with an opening extending longitudinally along the bottom thereof, hinged doors adapted to cover such opening, and lock-gates for dividing the chamber from the culvert, substantially as specified. (3.) The improved means for use in draining the water of lakes and lagoons into the sea, substantially as described and explained, and as illustrated in the drawings.

(Specification, 3s.; drawing, 1s.)

No. 24959.—23rd September, 1908.—GEORGE HARKER, of 35 Boulevard, Petersham, near Sydney, New South Wales, Australia, Doctor of Science of the University of London. Improvements in apparatus for fumigating and disinfecting ships, buildings, and sewers.

Extract from Specification.—In carrying out my said invention I use, as a vehicle or medium to carry the fumigant or disinfectant gas or vapour, cooled and washed gaseous products of combustion drawn from the funnel of a boiler-furnace, or the gaseous products of combustion from any closed furnace producing flue-gases containing little free oxygen and much carbon-dioxide. The furnace-gases are treated in an apparatus in which water is showered through them for the purpose of reducing their temperature and washing out soot and solid matters, and thereafter they are changed with the fumigant or disinfectant gas or vapour. They are drawn through a trunk or flue from the scrubber and cooler by means of a centrifugal fan or a pump, or by a steam-blast, and forced thereby through pipes of adequate size into the holds, apartments, sewers, or other chambers in which they are to be applied. The feeder or gas-charging device consists of a closed vessel for containing the fumigant or disinfectant, connected by three valved-pipe connections to the centrifugal pump—one for delivering gas from the pump under pressure to said vessel, a second for conveying liquid from said vessel to be dripped into the gas-current through a sight feed glass, and a third for delivering vaporised fumigant or disinfectant to the pump-intake. At the head it has also a valved filling-funnel, and it is provided with a steam-coil vaporiser, a pressure-gauge, a gauge-glass to exhibit the depth of disinfectant being carried in it from time to time and to show the rate of feed of the same into the furnace-gases, and a thermometer to indicate the temperature. The construction of the cooler and scrubber is more particularly described. The gas-pipes are disposed and valved so that by means of the pump charged gases may be conveyed thereby into ships' holds or other chambers to fumigate and disinfect the same, and drawn out of said chambers subsequently, and so that atmospheric air may be pumped into the said chambers to restore them to habitable condition and to ventilate them. The apparatus is used to treat apartments to destroy insects, vermin, and disease-germs therein, and may be operated periodically to treat grain or like perishables (not injuriously affected by the gases used) to preserve same in storage or transit from destruction by weevils, fungus, or like agencies.

[NOTE.—The above extract from the specification is inserted in place of the claims.]

(Specification, 12s. 6d.; drawing, 2s.)

No. 24973.—23rd September, 1908.—WILLIAM MORTON, of Princes Street, Dunedin, New Zealand, Mechanical Engineer. Improved multiple balanced current-wheels.

Claims.—(1.) In current-wheels, an even number of wheels in a line across a current, moving alternately in opposite directions, interlacing each other, and capable of being lifted or lowered out of or into the water, all substantially as described and as explained, and as illustrated in the drawing. (2.) Facing-current wheels of screw-like pattern, having their vanes interlaced, and working in opposite directions (rights and lefts alternately), working on a cross-girder, driving a shaft parallel with said girder, and capable of being partly or fully immersed or lifted out of the water, all substantially as set forth. (3.) In combination, on floating pontoons, an even number of wheels facing the current, travelling in opposite directions, their vanes being interlaced, for the purpose of obtaining power, with gearing to work the main shaft, the immersed machinery being capable of being lifted clear of the water, all substantially as set forth.

(Specification, 2s.; drawing, 1s.)

No. 24975.—25th September, 1908.—JOHN WILLIAM McCARTY, of Palmerston North, New Zealand, Blacksmith. An improved spanner.

Claims.—A spanner, comprising a disc pivoted upon a pin slidable in a handle, and having circumferential slots adapted to receive nuts of various sizes and to engage a lug upon the handle, substantially as set forth. (2.) The combination and arrangement of parts comprising the improved spanner, substantially as and for the purposes set forth, and illustrated in the drawing.

(Specification, 1s. 3d.; drawing, 1s.)

No. 24977.—28th September, 1908.—CARL V. HEIDEN, of 96 Paddington Street, Paddington, Sydney, New South Wales, Australia, Pianoforte-maker. Improvements in and relating to pianofortes.

Extract from Specification.—It comprises the use of two cast-steel frames, which, while serving particularly as an independent support for the operative mechanism and casing of the instrument, also provide a novel tuning system free from the old form of wrest-plank and tuning-pins, or such combined with hitch-pins. The said frames also hold in position, by pressure, a double cross-grained sound-board, to which the treble and bass bridges are secured in suitable positions relative to the new tuning system, which is combined with the front metal frame in the form of chambers and benches arranged in tiers. Into and upon these are placed (side by side) brass bars, having pierced head-pieces to receive the strings or wires, and pointed set-screws to obtain the proper tension.

[NOTE.—The above extract from the specification is inserted in place of the claims.]

(Specification, 7s. 6d. ; drawing, 3s.)

No. 24985. — 29th September, 1908. — WILLIAM CHURCH, of 9 St. George's Avenue, Northampton, England, Boot-manufacturer. Improvements in measuring-apparatus for bootmakers.

Extract from Specification.—The mode of using the device is as follows: The two lengths of each tape Y and Z are spread apart, on either side of the machine, ready for the reception of the customer's foot, the ball-joint tapes 2 being preferably passed between elastic bands 4 on the guards R. The heel of the foot is now placed on the platform C against the upright B at the back, and the fore part of the foot on the ball-joint member E. The handle M is then turned to the right or left, and thereby the ball-joint member E adjusted to locate the ball joint of the foot, and the instep member D to locate the instep. The guards R enable the ball joint of the foot to be exactly located. The size of the foot can then be plainly read on the dial O, giving the size of boot required. In the drawing the dial registers No. 8, men's size. The moving of the handle M also draws in or enables the tapes Y and Z to be paid out as previously explained, and so shortens or pays out relatively the said tapes. The fitting of the boot is then ascertained, firstly, by measuring the ball joint of the foot. I do not, however, measure the ball joint of the foot straight across, but the ball-joint member E is turned until the requisite angle is obtained for measuring the ball joint. The two lengths of tape 2 are then raised to go round the ball joint of the foot, and, the required length of tape having been automatically let out, the measurement is taken from a marked point on one length of tape to a marked point on the other length of tape, thus denoting the fitting of the boot at the ball joint. Secondly, the instep-tape having been automatically paid out by the turning of the handle M to the required extent, the measurement of the instep is taken in a similar manner, thus denoting the fitting required at that part. The legs I and J and the slides U and V can have small flanges at the sides entering a groove 5 at the bottom of the slot G in the hand-stick. These help to keep the parts in position, and prevent them being raised out of the slot G. The instep member D is elevated somewhat so as to be on a somewhat higher level than the ball-joint member E.

[NOTE.—The above extract from the specification is inserted in place of the claims.]

(Specification, 7s. ; drawing, 1s.)

No. 24986.—29th September, 1908.—WILLIAM CHURCH, of 9 St. George's Avenue, Northampton, England, Boot-manufacturer. Improvements in devices for measuring feet, lasts, and the like.

Extract from Specification.—The mode of using the device is as follows: The two lengths of each tape are spread apart, on either side of the machine, ready for the reception of a customer's foot, the tapes N being preferably passed between elastic bands 44 on the guards G. The heel of the foot is now placed on the platform B against the uprights B¹ at the back, and the fore part of the foot on the fore-part gauge. The handle S, turning the upright shaft Q, is then rotated, and thereby the ball-joint carriage E adjusted to locate the ball joint of the foot, the instep-carriage U to locate the instep,

and the fore-part gauge brought into correct position ready for use. The guards G enable the ball joint of the foot to be exactly located. The size of the foot can then be plainly read on the disc R, giving the size of boot required. The disc is locked by the finger, and the bell rings to indicate it is locked. In the drawing, the disc R registers No. 8, men's size. The turning of the handle also rotates, as previously explained, the sleeves J and J¹, and the pulley J², and so shortens or pays out relatively the tapes N, N¹, and N². The fitting of the boot is then ascertained, firstly, by measuring the ball joint of the foot. I do not, however, measure the ball joint of the foot straight across, but the ball-joint carriage E is turned until the requisite angle is obtained for measuring the ball joint. The two lengths of the tape N are then raised to go round the ball joint of the foot, and, the required length of tape having been automatically let out, measurement is taken from a marked point on one length of tape to a marked point on the other length of tape, thus denoting the fitting of the boot at the ball joint. Secondly, the instep and heel tapes having been automatically paid out by the turning of the disc R to the required extent, the measurement of the instep and heel are taken in a similar manner, thus denoting the fitting required at those parts. Thirdly, the shape of the boot at the fore part most suitable for the comfort of the foot being measured is shown by the fore-part gauge, which has engraved upon it the various bottom shapes of boots supplied. This gauge, which has been automatically moved by the turning of the disc, can be further adjusted by the indicating-fingers 19 to expand or contract the tables 18 and the plates 27 on the top of them, and make the shape or design thereon correspond with the size of boot registered on the disc.

[NOTE.—The above extract from the specification is inserted in place of the claims.]

(Specification, 16s. 6d. ; drawing, 2s.)

No. 24987.—29th September, 1908.—ALEXANDER MORRISON, of Dunedin, New Zealand, Marine Engineer-Surveyor. Improvements in or relating to the stern-tubes of steamships.

Claims.—(1.) A stern-tube for steamships, formed of separate portions suitably jointed together, with one or more of such portions constructed so as to be disconnected from the remainder, and closed in around and locked to the tail-shaft within the tube, for the purpose specified. (2.) A stern-tube for steamships constructed with a portion of its length separable from the remainder, made up of a number of longitudinal segments bolted together with distance-pieces between their joints, and adapted to be closed around and locked upon the tail-shaft within the tube, substantially as and for the purposes specified. (3.) The general arrangement, construction, and combination of parts in my improvements in or relating to the stern-tubes of steamships, substantially as described and explained, as illustrated in the drawings, and for the several purposes set forth.

(Specification, 2s. 9d. ; drawing, 1s.)

No. 24988.—29th September, 1908.—THOMAS IGNATIUS YOURELLE, of Harcourt's Buildings, Lambton Quay, Wellington, Architect, and JOHN BELLINGHAM, of Featherston Street, Wellington aforesaid, Importer. Improvements in and relating to facing and lining plates of ferro-concrete construction.

Extract from Specification.—This invention relates to the class of ferro-concrete construction described in the specification of our New Zealand Patent No. 22676, dated 11th April, 1907. The present invention relates particularly to the production and utilisation of facing and lining plates or boards. According hereto we employ sheets of wire netting, expanded metal, or the like, which are embedded in a composition of cement and sand or other convenient material for the production of plates or boards. These plates or boards have faces of glass or asbestos board, or, if desired, roughened or smooth faces may be produced by adapting the face of the mould in which the plates are made.

[NOTE.—The above extract from the specification is inserted in place of the claims.]

(Specification, 3s. ; drawing, 1s.)

No. 24993.—30th September, 1908.—WALTER WILLIAM GUNDRIE, of Taihape, New Zealand, Sawmiller. An improved formation of wire handle for buckets and like articles.

Claims.—(1.) A handle for buckets and like articles constituted by two or more helical wire coils arranged one within the other, and having their ends twisted or otherwise secured together, substantially as specified. (2.) The handle for buckets and like articles, substantially as described and explained, and as illustrated in the drawings.

(Specification, 2s.; drawing, 1s.)

No. 24998.—1st October, 1908.—MARGARET HERRICK, of Weraroa, New Zealand, Married Woman. An improved platform for use in supporting milk-cooling appliances.

Claims.—(1.) Means for supporting milk-coolers, the same comprising a travelling-platform supported by a frame, and arranged at a height above the tops of the milk-cans to be filled through the cooler, substantially as specified. (2.) In means for supporting milk-coolers, a frame, a pair of horizontal bars arranged in parallel lines across it, and a platform carried on such bars, and adapted to move to and fro thereon, and supporting the cooler, the whole being so arranged that the cooler will be at a level above the tops of the cans to be filled through it, substantially as specified. (3.) In means for supporting milk-cooling appliances, a travelling-platform adapted to carry the cooler and arranged above the tops of the cans to be filled through it, and a travelling-platform adapted to carry a milk-receiving vessel arranged parallel with and above the cooler-platform, substantially as specified. (4.) The improved platform for use in supporting milk-cooling appliances, substantially as described and explained, and as illustrated in the drawings.

(Specification, 2s. 6d.; drawing, 1s.)

No. 25022.—6th October, 1908.—CARL HEINRICH RUDOLF PAUL, of "Waratah," Harcourt Street, Brisbane, Queensland, Australia, Tailor. Pressing and ironing machine, and moulds used in connection therewith.

Extract from Specification.—The invention consists in a rectangular iron frame, provided with a wooden table-top; bolted to the frame at both ends are iron guide-standards, and at one end is an iron axle-bracket bolted to the guide-standard which supports an axle, mounted upon which are two fly-wheels and friction-clutch. Two horizontal steel guide-bars are shouldered and screwed into the guide-standards, upon which is a sliding-crosshead actuated by a connecting-rod from the fly-wheels. Integral with the crosshead are top and bottom sockets, in which slides up and down a vertical spindle, to the lower end of which is connected a firebox, and to the upper end a T socket-piece, which slides backwards and forwards on a horizontal guide-bar supported at either end by sockets which slide up and down vertical guide-bars, bolted to guide-standards; these sockets are attached to, kept in position, and actuated by vertical rods having an up-and-down motion; these rods are screwed at their lower ends for adjustment, and after passing through guide-holes in the table are attached to eyes having elongated slots permitting a true vertical motion; the eyes are attached to treadle-levers by shouldered bolts fitted with brass or gun-metal rollers. On to the eyes are attached chains running over pulleys revolving upon pins in frame; to the other ends of the chains are balance-weights, which are prevented from swinging by a tie-rod bolted thereto. The treadle-levers vibrate on shouldered bolts fixed to frame, and are provided with treadle foot-bar. The friction-clutch is operated by a lever pivotally connected to a bracket bolted to bracket carrying the fly-wheels; to the top end of said lever is an oscillating balance-weight. Fixed to the back of the frame is a water-trough, in which revolves a roller wound upon which is a damping-cloth running between two rollers. On to the firebox at end of vertical spindle is a cast-iron swing, fitted gas-tight, and having a slight oscillating transverse motion; to the swing are attached sole-plates of various patterns as the nature of the work demands; the firebox is provided with gas-supply pipe, and exhaust-pipe, and necessary taps. Wooden mould-boards of various patterns are used with the machine, the undersides of which are trenched with grooves running longitudinally, and are kept from warping by gun-metal girders screwed to the bottom, and so constructed

as to carry hard steel balls, upon which they travel; these mould-boards are fitted with spring clips for holding the garments.

[NOTE.—The above extract from the specification is inserted in place of the claims.]

(Specification, 10s.; drawing, 3s.)

No. 25023.—6th October, 1908.—EDGAR PERCIVAL STUART McPHARLIN, of Wangeling Pool, via Wagin, Western Australia, Farmer. Hook and nail for securing fence-wires to their posts.

Claims.—(1.) A hinged or swinging hook as *c*, formed with an open-ended slot as *d*, and a nest as *e* in which the fence-wires as *b* are held against the post as *a*, substantially as set forth, and as illustrated in the drawings. (2.) A barbed or partly barbed nail as *f*, on which is held or hinged the swinging-hook as *c*, substantially as set forth, and as illustrated in the drawings. (3.) The hinged or swinging hook as *c*, having a slot as *d* and a nest as *e* in operative combination with a barbed or partly barbed nail *f* as the holding pivotally agent to the post, substantially as set forth, and as illustrated in the drawings.

(Specification, 2s.; drawing, 1s.)

No. 25033.—7th October, 1908.—ALFRED JARRETT, of 13 Broadway, Glebe, near Sydney, New South Wales, Australia, Lamp-maker and Sheet-metal Worker. An improved kerosene-pump.

Claims.—(1.) A kerosene-pump provided with a vertical delivery-spout having a transverse partition, a float designed to actuate an indicator by its vertical movement within the lower end of said spout, outlets from said spout located one above and one below the said partition, the pump-barrel being furnished with a device comprising a tube having an inclined cutting-edge with a piercing-point at its lower end to facilitate the attachment of the pump to a kerosene-tin, substantially as described and illustrated. (2.) A kerosene-pump, the barrel of which is furnished with a device to facilitate its attachment to a kerosene-tin, and comprising a tube having an inclined cutting-edge with a piercing-point at its lower end, a supply-pipe leading from the barrel to a vertical delivery-spout, said spout being constructed with a transverse partition and outlets located one above and one below said partition, a float positioned within said spout below said partition, and adapted by its vertical movement to actuate a wire indicator passing upwardly through guides, substantially as described and illustrated.

[NOTE.—Here follow three other claims.]

(Specification, 4s. 6d.; drawing, 1s.)

No. 25036.—8th October, 1908.—ALBERT WILLIAM COLLETT, trading as "Collett and Son," of Dannevirke, New Zealand, Engineers. An improved construction of friction-winch.

Claims.—(1.) In friction-windlasses, a continuously revolving power-shaft, a drum loosely mounted upon the power-shaft, a countershaft geared with the drum, a friction-pinion fixed upon the power-shaft, a friction-wheel fixed upon the countershaft, and means whereby such friction-wheel may be moved into and out of engagement with the friction-pinion, substantially as specified. (2.) In friction-windlasses, a continuously revolving power-shaft, a drum loosely mounted upon the power-shaft, a countershaft geared with the drum, a friction-pinion fixed upon the power-shaft, a friction-wheel fixed upon the countershaft, a rotatable bearing-block carrying one end of the countershaft eccentrically therein, and an arm for rotating such block, substantially as and for the purposes specified. (3.) The general arrangement, construction, and combination of parts in my improved construction of friction-winch, substantially as described and explained, as illustrated in the drawings, and for the several purposes set forth.

(Specification, 3s.; drawing, 1s.)

No. 25037.—8th October, 1908.—HERBERT GORDON SCOTT, of 32 Siney Street, Jamaica, New York, United States of America, Accountant. Dispensing-stoppers for liquid-receptacles.

Extract from Specification.—The outer end of the air-passage I close, so that a column of air filling the diameter of the tube shall not meet head-on a column of water also filling the

tube, or closing any portion thereof, which would set up the irregularly pulsing flow that characterized the prior attempts in this direction. Instead, I use a small vent, whereby the air is caused to pass into the air passage or tube in relatively fine bubbles, which pass readily and with great speed (in case of a thin liquid) up through such liquid as may accidentally have trickled into the air-tube, so that a uniform and steady outflow of liquid is assured. . . . At the inner end of the air-tube I provide a liquid-baffle in the form of a bend or spout, directed towards that side of the bottle which has the outflow passage, the end of the spout being preferably in line with the outflow passage, so that if the latter were extended within the bottle it would meet the end of said spout. The bend is preferably reflex or backward along the air-tube, and preferably the spout stands at an acute angle to said air-tube.

[NOTE.—The above extract from the specification is inserted in place of the claims.]
(Specification, 10s. ; drawing, 1s.)

No. 25041.—9th October, 1908.—JOHN SQUIRE MCPHERSON, of Wakefield, Nelson, New Zealand, Carpenter. An improved bracket for holding brooms and the like.

Claims.—(1.) A bracket for the purpose indicated, consisting of a plate having corrugations and spring clips secure to the outside of the corrugation, substantially as set forth. (2.) In a bracket of the kind described in claim 1, the employment of right-angled ends on the bracket, against which the handle of the broom rests when in position, substantially as set forth. (3.) A bracket for the purpose indicated, comprising the parts arranged, combined, and operating substantially as specified and set forth.

(Specification, 1s. 6d. ; drawing, 1s.)

An asterisk (*) denotes the complete specification of an invention for which a provisional specification has been already lodged.

NOTE.—The cost of copying the specification and drawing has been inserted after the notice of each application. An order for a copy or copies should be accompanied by a post-office order or postal note for the cost of copying.

The date of acceptance of each application is given after the number.

Extracts from the drawings accompanying the foregoing complete specifications appear at the end of this *Gazette*.

J. C. LEWIS,
Registrar.

Provisional Specifications accepted.

Patent Office,
Wellington, 28th October, 1908.

APPLICATIONS for Letters Patent, with provisional specifications, have been accepted as under:—

- No. 24309.—A. H. Wright, quick-heating apparatus.
- No. 24348.—A. H. Wright, advertising programme and fan.
- No. 24622.—A. H. Poole, hair-pad-making appliance.
- No. 24813.—G. H. MacEwan, milk- and curd-agitating apparatus. (R. W. D. Robertson.)
- No. 24854.—J. F. Macallister, railway-carriage platform-door.
- No. 24926.—A. H. Wright, programme-holder and fan.
- No. 24927.—T. Seed, ointment.
- No. 24962.—C. Roberts, kerosene-tin tap.
- No. 24940.—E. W. Gowdy, rail-joint.
- No. 24996.—R. J. Waters, fencing-wire fastener.
- No. 25002.—H. C. Thomsen, cocksfoot-thresher.
- No. 25006.—H. R. Smith, force pump.
- No. 25009.—T. Gager, kerosene-tin, &c.
- No. 25010.—W. E. Mainwaring, telephone-disinfector.
- No. 25011.—W. Thwaites, railway-point lock.
- No. 25014.—S. Wright, acetylene-gas generator.
- No. 25015.—M. Henry, turnip-cutter.
- No. 25018.—A. T. Macalpin, sack-fastener.
- No. 25020.—H. S. Martin, reproducing mechanical vibrations, &c.
- No. 25021.—W. C. Mead, handle-bar for cycles.
- No. 25024.—E. A. Parker, window-fastener.
- No. 25025.—J. T. Muir, wrapping butter. (E. G. McDougall.)
- No. 25029.—R. Gilkes, protecting shop-fronts from animals.

- No. 25031.—W. J. Love and F. W. Skelsey, manufacture of Portland cement.
- No. 25035.—T. McNabb, picture-frame cramp.
- No. 25038.—W. Seifert, flax-treatment.
- No. 25039.—F. W. May, ballast-truck.
- No. 25042.—J. A. Paterson, hydrocarbon-gas production.
- No. 25044.—J. Baird, closet.
- No. 25045.—G. L. Briggs and R. F. Rollard, saw-fence.
- No. 25046.—J. E. C. Brown, driving engines by gun-cotton explosions.
- No. 25048.—A. H. Wright, look.
- No. 25049.—A. H. Wright, table-game guard.
- No. 25050.—A. H. Wright, displaying telephone-lists, &c.
- No. 25051.—A. H. Wright, cooker.
- No. 25053.—J. Ford, candle-saver.
- No. 25054.—R. Paladini, fan.
- No. 25055.—A. J. Worms, surveying-peg.
- No. 25056.—G. Hutchinson, portable reading-stand.
- No. 25059.—E. Bingham, actuating cycle-horn, &c.
- No. 25064.—R. Millis, rubber-tire protector.
- No. 25065.—D. Laing, cigarette.
- No. 25066.—J. Gray, wheel-lubricator.
- No. 25069.—W. J. Parsons, step-ladder.
- No. 25072.—H. Croft, roundabout.
- No. 25073.—L. M. M. Monteath, flax-treatment.
- No. 25074.—W. J. Roebuck, step-ladder foot.
- No. 25075.—W. P. S. Macgregor and E. C. Reid, wire-strainer.
- No. 25085.—W. G. Richardson, centrifugal machine.
- No. 25087.—E. Dahl, collapsible cot.
- No. 25088.—M. Burns, wool-bale grip.
- No. 25089.—C. B. M. Branson, saddle-cover.
- No. 25103.—United Shoe Machinery Company, conforming boot-upper to last. (O. Ashton.)
- No. 25104.—United Shoe Machinery Company, press. (A. Bates.)
- No. 25106.—J. McMullen, delivering mails to and receiving them from trains.

[NOTE.—Provisional specifications cannot be inspected, or their contents made known by this office in any way, until the complete specifications in connection therewith have been accepted.]

Letters Patent sealed.

LIST of Letters Patent sealed from the 10th to the 26th October, 1908, inclusive:—

- No. 22620.—J. P. Horner, shaft-tug.
- No. 22700.—W. H. Blackham, milking-machine teat-cup support. (W. J. Teese.)
- No. 23284.—W. H. Duncan, water-heater.
- No. 23630.—T. Parker, fuel-production.
- No. 24059.—A. C. Anderson, agricultural implement.
- No. 24174.—J. T. Hunter, homogeneously uniting metal bodies by heat. (Electric Railway Improvement Company—A. B. Herriek.)
- No. 24484.—The Pittler Universal Rotary Machine Syndicate, Limited, rotary-engine pumps, &c. (J. W. von Pittler.)
- No. 24524.—I. Deachman, milk-can hoist.
- No. 24535.—R. Noble, concentrating-table.
- No. 24556.—T. Yabsley, stock and farm gate. (F. Russell.)
- No. 24559.—J. Lavery, disc plough.
- No. 24560.—W. L. Imlay, lixiviator.

Letters Patent on which Fees have been paid.

[NOTE.—The dates are those of the payments.]

SECOND-TERM FEES.

- No. 18512.—The Beek Flame Lamp, Limited, electric arc lamp. (H. Beek.) 21st October, 1908.
- No. 18630.—E. Phillips, cream product. (C. M. Taylor.) 15th October, 1908.
- No. 18633.—D. Roberts, C. James, and J. W. Young, internal-combustion engine. 15th October, 1908.
- No. 18666.—N. Nielsen, building-block. 23rd October, 1908.
- No. 18682.—F. de J. Clere, weatherboard. 23rd October, 1908.
- No. 18689.—S. W. Winslow, buffing-machine. (Naumkeag Buffing Machine Association—A. W. Rodgers.) 21st October, 1908.
- No. 18690.—United Shoe Machinery Company, sole-laying, &c., machine. (E. E. Winkley.) 21st October, 1908.
- No. 18691.—United Shoe Machinery Company, welt-operating machine. (J. B. Hadaway.) 21st October, 1908.
- No. 18751.—United Shoe Machinery Company, heel-trimming machine. (B. F. Mayo.) 21st October, 1908.

No. 18752.—United Shoe Machinery Company, nail-driving machine. (W. R. Barclay and A. Bates.) 21st October, 1908.

No. 18947.—The British Westinghouse Electric and Manufacturing Company, Limited, watt-meter. (J. P. Campbell—F. Conrad and W. M. Bradshaw.) 22nd October, 1908.

THIRD-TERM FEES.

No. 14195.—J. Roxburgh and R. McClean, utilising line-type-slugs, &c. 23rd October, 1908.

No. 14198.—R. Keyte, temperature-indicator. 15th October, 1908.

No. 14224.—The Computing Scale Company, weighing, &c., scale. (A. N. Ozias and A. U. Smith.) 21st October, 1908.

Subsequent Proprietors of Letters Patent registered.

[NOTE.—The name of the patentee is given in brackets; the date is that of registration.]

No. 12577.—The Australasian Marbut Carving Company Proprietary, Limited, whose registered office is at No. 346 Queen Street, Melbourne, in the State of Victoria, Commonwealth of Australia. Carving-machine. (H. Marles and G. W. Butt.) 22nd October, 1908.

No. 13688.—United Shoe Machinery Company, of Paterson, in the State of New Jersey, in the United States of America, a corporation duly organized under the laws of said State of New Jersey, and having a place of business at 205 Lincoln Street, Boston, in the Commonwealth of Massachusetts, in said United States of America, registered as proprietor of the entire right, title, and interest. Sewing-machine. (Z. T. French and W. C. Meyer.) 21st October, 1908.

No. 19663.—Rowland Haynes, of 27 Rue la Boetie, Paris, in the Republic of France, Gentleman, registered as proprietor of one half-share. Ore-smelting apparatus. (T. S. Anderson.) 21st October, 1908.

No. 21017.—John Christie and Thomas Reid Christie, both of Dunedin, in the Dominion of New Zealand, Iron-mongers. Boiler. (B. Crawford and H. A. Tattersall.) 24th October, 1908.

No. 21867.—John Christie and Thomas Reid Christie, both of Dunedin, in the Dominion of New Zealand, Iron-mongers. Hot-water system. (B. Crawford and H. A. Tattersall.) 24th October, 1908.

No. 22825.—The Harker Fire Extinguisher and Fumigator Company, Limited, a company incorporated and registered under the laws of the State of New South Wales, and having its registered office at 17 Bond Street, Sydney, in the said State, Machine-proprietors. Fire-extinguisher and vermin-destroyer. (G. Harker.) 22nd October, 1908.

No. 23530.—Thomas William Sim, of Temuka, Canterbury, New Zealand, Hotelkeeper. Belt-fastener. (A. E. Slipper and D. J. Smith.) 15th October, 1908.

No. 23810.—Kitson Lighting and Heating Company, of Queensland, Limited, of No. 470 Ann Street, Brisbane, Queensland, Australia. Supplying pressure to oils for oil-lamps. (J. W. Sutton.) 17th October, 1908.

No. 23956.—Albert Grover, of Levin, Bootmaker; Charles Robert Barringer, of Wellington, Bullder; William Meredith, of Wellington, Carpenter; Alexander Cunningham, of Wellington, Clerk; James Grover, of Wellington, Tram-conductor, all in the Dominion of New Zealand, trading as A. Grover and Co., registered as proprietors for Levin and surrounding district, as shown on plan deposited. Incandescent vapour light. (A. A. Stephenson.) 26th October, 1908.

Applications for Letters Patent abandoned.

LIST of applications, with which provisional specifications only have been filed, abandoned (*i.e.*, complete specifications not lodged) from the 12th to the 26th October, 1908, inclusive:—

No. 23827.—R. Dixon, and R. S. Watson, depilatory-solution mixer.

No. 23830.—F. Giblin, boiler-solution.

No. 23835.—J. T. Renshaw, boot-jack.

No. 23838.—J. E. Friend and E. H. Friend, turbine.

No. 23844.—J. C. Drewet, fibre-dresser.

No. 23845.—A. E. Bent and G. W. Stewart, one-rail railway-carriage, &c.

No. 23847.—P. O. von Hartitzsch, trolley-pole retriever.

No. 23848.—J. H. Beamish, ventilator.

No. 23849.—O. F. Overton, fencing-clip twister.

No. 23858.—A. J. Roycroft, fire-alarm.

Applications for Letters Patent void.

APPLICATIONS for Letters Patent, with which complete specifications have been lodged, void owing to non-acceptance of such complete specifications, from the 15th to the 27th October, 1908, inclusive:—

No. 23169.—A. L. J. Tait, envelope and wrapper.

No. 23194.—H. Lee, rotary engine.

No. 23196.—H. Ledgerwood and L. H. Rounthwaite, renewable boot, &c., heel.

No. 23207.—W. E. Hughes, gold-washer, &c. (B. G. Jayne and C. M. Knight.)

No. 23209.—F. T. Ware, acetylene-gas generator.

Applications for Letters Patent lapsed.

APPLICATIONS for Letters Patent lapsed, owing to Letters Patent not being sealed, from the 13th to the 26th October, 1908, inclusive:—

No. 22591.—R. B. Williams, umbrella.

No. 22646.—F. C. Thompson, fixing blinds to window-sashes.

No. 22702.—J. Brewin, bottle-washing machine.

No. 22707.—A. Baker, clothes-hanger.

No. 22713.—A. Gruhn, indoor game.

Letters Patent void.

LIST of Letters Patent void through non-payment of renewal fees, and through expiry of term of fourteen years, from the 13th to the 26th October, 1908, inclusive:—

THROUGH NON-PAYMENT OF SECOND-TERM FEES.

No. 18151.—H. Griffiths, boot.

No. 18166.—F. Cotton, gas generator.

No. 18167.—E. G. May, door-holder.

No. 18174.—H. S. Clark and R. Logan, position-finder.

No. 18180.—I. Williams, game.

No. 18186.—A. J. Gilson, acetylene-generator.

No. 18199.—F. J. Shelton, acetylene-generator.

No. 18204.—American Seeding Machine Company, grain-drill distributor. (F. R. Packham and G. P. Oates.)

No. 18207.—H. Mowlem, envelope-opener.

No. 18214.—A. P. Richmond, therapeutic apparatus.

No. 18223.—A. Speden, door-lock.

No. 18737.—J. Warry and P. Wigley, inverted incandescent gas-burner.

THROUGH NON-PAYMENT OF THIRD-TERM FEES.

No. 13820.—W. Kingsland, electric switch.

No. 13821.—F. Kuschenitz, support for osmium filaments.

(Oesterreichische Gasglühlicht- und Electricitäts-Gesellschaft—C. A. von Welsbach.)

No. 13828.—J. W. Rooney, dust, draught, &c., excluder.

No. 13838.—J. Osborne, boring-machine.

No. 13842.—E. Sobitz, gold-extraction.

No. 13861.—H. Stuart and S. A. Cranwell, bridle and bit. (S. Van Buskirk.)

No. 13862.—H. O. Brown, scarf, &c., pin.

THROUGH EXPIRY OF TERM.

No. 7210.—Massey-Harris Company, Limited, spring-tine cultivator. (P. and D. Duncan, Limited—J. Keir.)

No. 7232.—W. T. and E. T. Firth, insulating-pumice. (J. C. Firth.)

Design expired.

THE copyright in the following design has expired:—

No. 196.—C. R. Thomlinson, Launceston, Tasmania (letter-card)

Applications for Registration of Trade Marks.

Patent Office, Wellington, 28th October, 1908.

APPLICATIONS for registration of the following Trade Marks have been received. Notice of opposition to the registration of any of these applications may be lodged at this office within two months of the date of this Gazette. Such notice must be in duplicate, and accompanied by a fee of £1.

No. of application : 7114.
Date : 15th January, 1908.

TRADE MARK.



“White Label”
FINEST SCOTCH WHISKY
OF GREAT AGE.

John Dewar & Sons Ltd
DISTILLERS,
London Offices
Dewar's Wharf, Waterloo Bridge.
PERTH.
SCOTLAND

The essential particular of the trade mark is as follows—the distinctive label.

NAME.

JOHN DEWAR AND SONS, LIMITED, of Perth, Scotland, and 255 George Street, Sydney, in the State of New South Wales, Commonwealth of Australia, Distillers.

No. of class : 43.

Description of goods : Whisky.

No. of application: 7115.
Date: 15th January, 1908.

TRADE MARK.



*By Special Royal Warrant to His Majesty the King
And supplied to the Houses of Lords & Commons.*

The Victoria Vat

The very finest Old Scotch Whisky.

London.
DEWAR'S WHARF.
WATERLOO BRIDGE, S.E.

John Dewar & Sons Ltd.
Distillers. *Perth, N.B.*

The essential particular of the trade mark is as follows—the distinctive label.

NAME.

JOHN DEWAR AND SONS, LIMITED, of Perth, Scotland, and 255 George Street, Sydney, in the State of New South Wales, Commonwealth of Australia, Distillers.

No. of class: 48.
Description of goods: Whisky.

No. of application: 7291.
Date: 29th April, 1908.

TRADE MARK.

The word

"GLOBE."

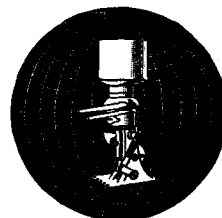
NAME.

AKTIEBOLAGET ROTATOR, a company limited, of Sodertelje, Sweden, Manufacturers.

No. of class: 7.
Description of goods: Centrifugal liquid separators and churns.

No. of application: 7292.
Date: 29th April, 1908.

TRADE MARK.



NAME.

AKTIEBOLAGET ROTATOR, a company limited, of Sodertelje, Sweden, Manufacturers.

No. of class: 7.
Description of goods: Centrifugal liquid separators and churns.

No. of application : 7355.
Date : 28th May, 1908.

TRADE MARK.



The applicants claim that the trade mark has been used in respect of matches prior to the 1st January, 1890.

The essential particulars of this trade mark are the word "Security" and the distinctive device; and any right to the exclusive use of the added matter is disclaimed.

NAME.

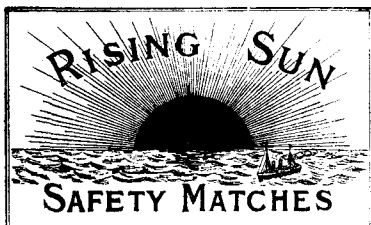
BRYANT AND MAY, LIMITED, of Fairfield Works, Bow, London E., England, Match-manufacturers.

No. of class : 47.

Description of goods : Matches, vestas, night-lights, lucifers, tapers, and fuses, included in Class 47.

No. of application : 7356.
Date : 28th May, 1908.

TRADE MARK.



The essential particulars of this trade mark are the words "Rising Sun" and the distinctive device; and any right to the exclusive use of the added matter is disclaimed.

NAME.

BRYANT AND MAY, LIMITED, of Fairfield Works, Bow, London E., England, Match-manufacturers.

No. of class : 47.

Description of goods : Matches, vestas, night-lights, lucifers, tapers, and fuses, included in Class 47.

No. of application : 7412.
Date : 27th June, 1908.

TRADE MARK.

The word

"VERIBEZT."

NAME.

WARNOCK BROS., of Durham Street, Auckland, in the Dominion of New Zealand.

No. of class : 47.

Description of goods : Household soaps (that is, soaps other than toilet).

No. of application : 7417.
Date : 1st July, 1908.

TRADE MARK.



NAME.

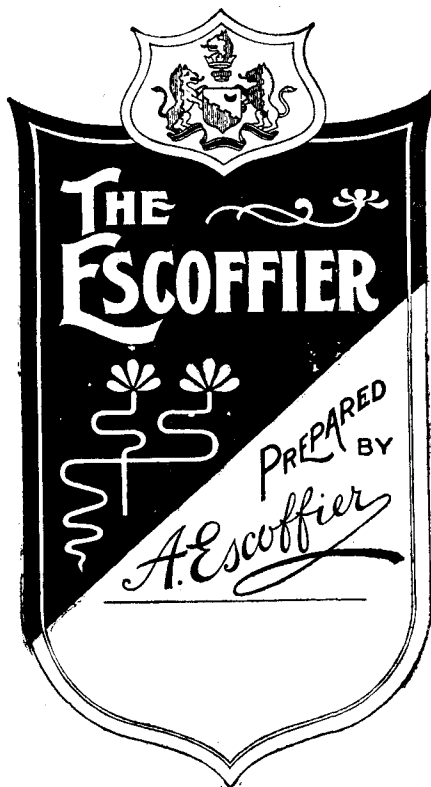
ACTIENGESELLSCHAFT DER EISEN-UND STAHLWERKE VORM. GEORG FISCHER, a company constituted according to the laws of Switzerland, of 105 Muhlental, Schaffhausen, Switzerland, Manufacturers.

No. of class : 18.

Description of goods : Tube fittings

No. of application : 7419.
Date : 1st July, 1908.

TRADE MARK.



The essential particulars of this trade mark are the distinctive label and the signature "A. Escoffier"; and any right to the exclusive use of the added matter is disclaimed.

NAME.

ESCOFFIER (1907) LIMITED, of No. 6 Ridgmount Street, Tottenham Court Road, London, England, Sauce and Pickle Manufacturers.

No. of class: 42.

Description of goods: Pickles, chutney, sauces, vinegar, and all goods of a like nature included in this class.

No. of application: 7444.

Date: 15th July, 1908.

TRADE MARK.

The word

“RAVEN.”

NAME.

ROYDS BROS. AND KIRK, LIMITED, of Christchurch, in the Dominion of New Zealand, Importers and General Merchants.

No. of class: 42.

Description of goods: Tea and all other articles in same class.

No. of application: 7446.

Date: 15th July, 1908.

TRADE MARK.

The word

“BANNER.”

NAME.

ROYDS BROS. AND KIRK, LIMITED, of Christchurch, in the Dominion of New Zealand, Importers and General Merchants.

No. of class: 42.

Description of goods: Tea and all other articles in same class.

No. of application: 7536.

Date: 26th August, 1908.

TRADE MARK.

The words

“RED JACKET.”

NAME.

GALLAHER LIMITED, of Belfast, Ireland.

No. of class: 45.

Description of goods: Cigarettes, cigarette tobaccos, tobaccos, and goods in same class.

No. of application: 7557.

Date: 8th September, 1908.

TRADE MARK.



The essential particular of this trade mark is as follows—the distinctive label.

NAME.

LSE. POMMERY, FILS, AND CIE, of Reims, in France, Champagne-wine Shippers.

No. of class: 43.

Description of goods: Champagne wines and all other sparkling wines.

No. of application: 7586.

Date: 29th September, 1908.

TRADE MARK.

The words

“WILLOW BANK.”

NAME.

C. T. FLYGER, of Palmerston North, in the Dominion of New Zealand.

No. of class: 42.

Description of goods: Butter.

No. of application: 7608.

Date: 12th October, 1908.

TRADE MARK.

The word

“CITIZEN.”

NAME.

ARTHUR NELSON FIELD, of 20 Austin Street, Wellington, in the Dominion of New Zealand, Journalist.

No. of class: 39.

Description of goods: A weekly newspaper.

No. of application: 7609.
Date: 15th October, 1908.

TRADE MARK.

The word

“GERMOL.”

NAME.

WARNOCK BROS., of Durham Street, Auckland, in the Dominion of New Zealand, Soap-manufacturers.

No. of class: 47.
Description of goods: Common soap and washing-powders.

No. of application: 7610.
Date: 15th October, 1908.

TRADE MARK.
SUPERIOR



LION BRAND
SALT.

The essential particulars of this trade mark are the word “Lion” and representation of a lion; and any right to the exclusive use of the added matter is disclaimed.

NAME.

W. S. LAURIE AND Co., of 29 Custom Street East, Auckland, in the Dominion of New Zealand.

No. of class: 42.
Description of goods: Salt.

No. of application: 7613.
Date: 15th October, 1908.

TRADE MARK.



NAME.

THE WOULDHAM CEMENT Co., LIMITED, of 85 Great St. Helens, London E.C., and Lion Works, West Thurrock, Essex, England, Manufacturers.

No. of class: 17.
Description of goods: Cement included in Class 17.

No. of application: 7614.
Date: 15th October, 1908.

TRADE MARK.

The word

“MERMAID.”

NAME.

THE CHEETHAM SALT PROPRIETARY, LIMITED, whose registered office is at 77 Little Malop Street, Geelong, Victoria, in the Commonwealth of Australia, Salt-manufacturers.

No. of class: 42.
Description of goods: Salt.

No. of application: 7616.
Date: 15th October, 1908.

TRADE MARK.



NAME.

THE SYDNEY SOAP AND CANDLE COMPANY, LIMITED, of 365 Kent Street, Sydney, in the State of New South Wales, Commonwealth of Australia, Manufacturers.

No. of class: 50 (9).
Description of goods: Packing and hose of all kinds.

No. of application: 7617.
Date: 16th October, 1908.

TRADE MARK

PHEASANT



BRAND

The essential particulars of this trade mark are the word “Pheasant” and the representation of a pheasant; and any right to the exclusive use of any added matter is disclaimed.

NAME.

DE FELICHT McLEOD AND Co., of Hastings, in the Dominion of New Zealand, Auctioneers and Stock and Station Agents.

No. of class: 42.

Description of goods: Frozen meat.

No. of application: 7619.

Date: 19th October, 1908.

TRADE MARK

The word

“KIWI.”

NAME.

J. H. ADAMS AND Co., of Albert Street, Auckland, in the Dominion of New Zealand, General Engineers.

No. of class: 6.

Description of goods: Oil-engines.

No. of application: 7620.

Date: 19th October, 1908.

TRADE MARK.



The essential particulars of this trade mark are the device, including the figure in sailor costume at a masthead, and the word “Topmost”; and any right to the exclusive use of the added matter is disclaimed.

NAME.

R. JAMIESON AND Co., of 162 Moray Place E., Dunedin, in the Dominion of New Zealand, Warehousemen.

No. of class: 34.

Description of goods: Coatings, vicunas, and serges.

No. of application: 7621.

Date: 20th October, 1908.

TRADE MARK.



Dérouter les contrefaçons en exigeant

la Signature ci-contre: *Simon*

The essential particulars of the trade mark are as follow—the combination of devices, and the copy of the written signature “Simon,” being that of applicants’ predecessor in business; and any right to the exclusive use of the added matter is disclaimed, except in so far as it consists of the name and address of applicants or that of their predecessor in business.

NAME.

J. SIMON & CIE, of 66 Rue de l’Université, Lyons, in France, and 59 Rue de Faubourg St. Martin, Paris, in France.

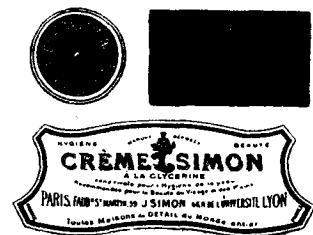
No. of class: 48.

Description of goods: A toilet preparation.

No. of application: 7622.

Date: 20th October, 1908.

TRADE MARK.



Dérouter les contrefaçons en exigeant la signature ci-contre: *Simon*

The essential particulars of the trade mark are as follow—the combination of devices, and the copy of the written signature “Simon,” being that of applicants’ predecessor in business; and any right to the exclusive use of the added matter is disclaimed, except in so far as it consists of the name and address of applicants or that of their predecessor in business.

NAME.

J. SIMON & CIE, of 66 Rue de l’Université, Lyons, in France, and 59 Rue de Faubourg St. Martin, Paris, in France.

No. of class: 48.

Description of goods: A toilet preparation.

No. of application : 7623.
Date : 20th October, 1908.

TRADE MARK



*Demander les contrefaçons en
rejoignant la signature* *Simon*

The essential particulars of the trade mark are as follow—the combination of devices, and the copy of the written signature "Simon," being that of applicants' predecessor in business; and any right to the exclusive use of the added matter is disclaimed, except in so far as it consists of the name and address of applicants or that of their predecessor in business.

NAME.

J. SIMON & CIE, of 66 Rue de l'Université, Lyons, in France, and 59 Rue de Faubourg St. Martin, Paris, in France.

No. of class : 48.
Description of goods : A toilet preparation.

No. of application : 7630.
Date : 22nd October, 1908

TRADE MARK.

The words
"MICURE COOLEEL."

NAME.

EDWARD SHEE EVELYN, of Auckland, in the Dominion of New Zealand, Gentleman.

No. of class : 2.
Description of goods : Horse, cattle, and sheep medicine.

No. of application : 7633.
Date : 22nd October, 1908.

TRADE MARK.



The essential particular of this trade mark is the device; and any right to the exclusive use of the added matter, except the name and address, is disclaimed,

NAME.

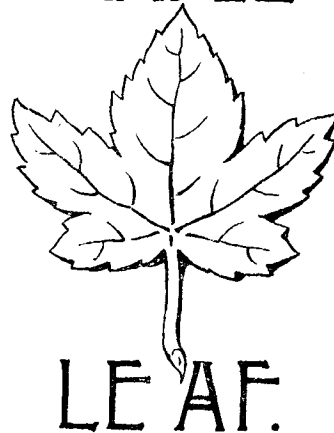
WILLIAM HENRY BARTLETT, of Queen Street, Auckland, in the Dominion of New Zealand, Photographer.

No. of class : 39.
Description of goods : Photographs and photographic paper.

No. of application : 7635.
Date : 23rd October, 1908.

TRADE MARK.

MAPLE



NAME.

J. B. MACEWAN AND Co., LIMITED, of Wellington, in the Dominion of New Zealand, Dairy-produce Exporters.

No. of class : 39.
Description of goods : Parchment paper.

No. of application : 7636.
Date : 23rd October, 1908.

TRADE MARK.

(The mark as shown in preceding notice, No. 7635.)

NAME.

J. B. MACEWAN AND Co., LIMITED, of Wellington, in the Dominion of New Zealand, Dairy-produce Exporters.

No. of class : 24.
Description of goods : Bandage and caps for cheese.

No. of application : 7637.
Date : 23rd October, 1908.

TRADE MARK.

(The mark as shown in preceding notice No. 7635.)

NAME.

J. B. MACEWAN AND Co., LIMITED, of Wellington, in the Dominion of New Zealand, Dairy-produce Exporters.

No. of class : 42.
Description of goods : Butter, cheese, hams, bacon, preserved meat and fish, preservative, and butter and cheese culture.

No. of application: 7638.
Date: 23rd October, 1908.

TRADE MARK.
The word
"METELBAK."

NAME.

CHARLES HENRY MATTHEWS, of Wellington, in the Dominion of New Zealand.

No. of class: 49.
Description of goods: Billiard-cushions.

No. of application: 7639.
Date: 23rd October, 1908.

TRADE MARK.
The word
"CARMITE."

NAME.

JOSEPH PATRICK CARMINE, of Post-office, Westport, in the Dominion of New Zealand, Clerk.

No. of class: 50.
Description of goods: Boot-polishes, dubbins, and the like.

No. of application: 7640.
Date: 24th October, 1908.

TRADE MARK.

L. M. B.

NAME.

P. HAYMAN AND Co., of Victoria Street, Wellington, in the Dominion of New Zealand, Merchants.

No. of class: 50.
Description of goods: Tobacco pipes and cases, cigar and cigarette holders, and such-like tobacconists' sundries.

J. C. LEWIS,
Registrar.

Trade Marks registered.

LIST of Trade Marks registered from the 13th to the 28th October, 1908, inclusive:—

- No. 5868/7269.—Whangarei Co-operative Dairy Company Limited. Class 42. (*Gazette* No. 35, of the 30th April, 1908.)
No. 5869/7475.—E. B. Dufaur. Class 42. (*Gazette* No. 61, of the 6th August, 1908.)
No. 5870/6924.—Hutchinson Bros., Limited. Class 47. (*Gazette* No. 83, of the 19th September, 1907.)
No. 5871/6925.—Hutchinson Bros., Limited. Class 47. (*Gazette* No. 83, of the 19th September, 1907.)
No. 5872/7224.—Felten & Guilleaume Lahmeyerwerke Actien-Gesellschaft. Class 5. (*Gazette* No. 25, of the 2nd April, 1908.)

No. 5873/7225.—Felten & Guilleaume Lahmeyerwerke Actien-Gesellschaft. Class 13. (*Gazette* No. 25, of the 2nd April, 1908.)

No. 5874/7226.—Felten & Guilleaume Lahmeyerwerke Actien-Gesellschaft. Class 5. (*Gazette* No. 25, of the 2nd April, 1908.)

No. 5875/7227.—Felten & Guilleaume Lahmeyerwerke Actien-Gesellschaft. Class 6. (*Gazette* No. 25, of the 2nd April, 1908.)

No. 5876/7228.—Felten & Guilleaume Lahmeyerwerke Actien-Gesellschaft. Class 7. (*Gazette* No. 25, of the 2nd April, 1908.)

No. 5877/7229.—Felten & Guilleaume Lahmeyerwerke Actien-Gesellschaft. Class 8. (*Gazette* No. 25, of the 2nd April, 1908.)

No. 5878/7230.—Felten & Guilleaume Lahmeyerwerke Actien-Gesellschaft. Class 13. (*Gazette* No. 25, of the 2nd April, 1908.)

No. 5879/7231.—Felten & Guilleaume Lahmeyerwerke Actien-Gesellschaft. Class 18. (*Gazette* No. 25, of the 2nd April, 1908.)

No. 5880/7232.—Felten & Guilleaume Lahmeyerwerke Actien-Gesellschaft. Class 21. (*Gazette* No. 25, of the 2nd April, 1908.)

No. 5881/7233.—Felten & Guilleaume Lahmeyerwerke Actien-Gesellschaft. Class 30. (*Gazette* No. 25, of the 2nd April, 1908.)

No. 5882/7234.—Felten & Guilleaume Lahmeyerwerke Actien-Gesellschaft. Class 40. (*Gazette* No. 25, of the 2nd April, 1908.)

No. 5883/7237.—A. Hyde. Class 44. (*Gazette* No. 25, of the 2nd April, 1908.)

No. 5884/7423.—W. H. Paling and Co., Limited. Class 9. (*Gazette* No. 58, of the 23rd July, 1908.)

No. 5885/7445.—Royds Bros. and Kirk, Limited. Class 42. (*Gazette* No. 61, of the 6th August, 1908.)

No. 5886/7171.—The Wilcox and White Company. Class 9. (*Gazette* No. 39, of the 14th May, 1908.)

No. 5887/7239.—Goodlass, Wall, and Co., Limited. Class 1. (*Gazette* No. 31, of the 16th April, 1908.)

No. 5888/7240.—Goodlass, Wall, and Co., Limited. Class 4. (*Gazette* No. 31, of the 16th April, 1908.)

No. 5889/7241.—Goodlass, Wall, and Co., Limited. Class 1. (*Gazette* No. 31, of the 16th April, 1908.)

No. 5890/7242.—Goodlass, Wall, and Co., Limited. Class 4. (*Gazette* No. 31, of the 16th April, 1908.)

No. 5891/7243.—Goodlass, Wall, and Co., Limited. Class 1. (*Gazette* No. 31, of the 16th April, 1908.)

No. 5892/7244.—Goodlass, Wall, and Co., Limited. Class 4. (*Gazette* No. 31, of the 16th April, 1908.)

No. 5893/7245.—Felten & Guilleaume Lahmeyerwerke Actien-Gesellschaft. Class 13. (*Gazette* No. 31, of the 16th April, 1908.)

No. 5894/7263.—Felten & Guilleaume Lahmeyerwerke Actien-Gesellschaft. Class 13. (*Gazette* No. 31, of the 16th April, 1908.)

No. 5895/7264.—The Æolian Company. Class 9. (*Gazette* No. 31, of the 16th April, 1908.)

No. 5896/7265.—F. M. Burt. Class 45. (*Gazette* No. 31, of the 16th April, 1908.)

No. 5897/7273.—Abdulla and Co., Limited. Class 45. (*Gazette* No. 35, of the 30th April, 1908.)

No. 5898/7274.—Crane and MacMahon. Class 50. (*Gazette* No. 35, of the 30th April, 1908.)

No. 5899/7275.—Crane and MacMahon. Class 50. (*Gazette* No. 35, of the 30th April, 1908.)

No. 5900/7277.—H. D. Blake. Class 17. (*Gazette* No. 35, of the 30th April, 1908.)

No. 5901/7287.—W. Baker and Co., Limited. Class 42. (*Gazette* No. 39, of the 14th May, 1908.)

No. 5902/7294.—C. Begg and Co., Limited. Class 9. (*Gazette* No. 39, of the 14th May, 1908.)

No. 5903/7336.—The Old Bleach Linen Company, Limited. Class 27. (*Gazette* No. 46, of the 11th June, 1908.)

No. 5904/7337.—The Old Bleach Linen Company, Limited. Class 28. (*Gazette* No. 46, of the 11th June, 1908.)

No. 5905/7339.—Rainbow Dye Company. Class 1. (*Gazette* No. 46, of the 11th June, 1908.)

No. 5906/7340.—Royal Worcester Corset Company. Class 38. (*Gazette* No. 46, of the 11th June, 1908.)

No. 5907/7350.—Svdnev Soap and Candle Company, Limited. Class 40. (*Gazette* No. 46, of the 11th June, 1908.)

No. 5908/7351.—Svdnev Soap and Candle Company, Limited. Class 40. (*Gazette* No. 46, of the 11th June, 1908.)

No. 5909/7363.—H. Rubinstein. Class 48. (*Gazette* No. 49, of the 25th June, 1908.)

No. 5910/7382.—E. E. Yencken and Co. Proprietors, Limited. Class 15. (*Gazette* No. 54, of the 9th July, 1908.)

No. 5911/7383.—Sanatogen Company. Class 3. (*Gazette* No. 54, of the 9th July, 1908.)

No. 5912/7384.—Sanatogen Company. Class 42. (*Gazette* No. 54, of the 9th July, 1908.)

No. 5913/7394.—Witting Bros., Limited. Class 15. (*Gazette* No. 54, of the 9th July, 1908.)
 No. 5914/7422.—Noilly Prat & Cie. Class 43. (*Gazette* No. 58, of the 23rd July, 1908.)
 No. 5915/6424.—Chassaing & Cie. Class 42. (*Gazette* No. 64, of the 20th August, 1908.)
 No. 5916/7398.—L. M. Wilson. Class 42. (*Gazette* No. 54, of the 9th July, 1908.)
 No. 5917/7402.—S. Barry. Class 8. (*Gazette* No. 64, of the 20th August, 1908.)
 No. 5918/7426.—J. Daglish. Class 3. (*Gazette* No. 58, of the 23rd July, 1908.)
 No. 5919/7443.—Bryant and May, Limited. Class 47. (*Gazette* No. 64, of the 20th August, 1908.)
 No. 5920/7472.—G. Scott. Class 42. (*Gazette* No. 64, of the 20th August, 1908.)
 No. 5921/7474.—Dr. B. J. Kendall Company. Class 2. (*Gazette* No. 64, of the 20th August, 1908.)
 No. 5922/7427.—W. Dickie. Class 42. (*Gazette* No. 58, of the 23rd July, 1908.)
 No. 5923/7429.—Dillicar Bros. Class 42. (*Gazette* No. 64, of the 20th August, 1908.)
 No. 5924/6980.—A. A. Carson. Class 42. (*Gazette* No. 98, of the 14th November, 1907.)

Applications for Trade Marks withdrawn.

THE following applications for Trade-marks have been withdrawn:—

No. 7281.—W. F. Jamieson (advertised in Supplement to *New Zealand Gazette*, No. 35, of the 30th April, 1908).
 No. 7511.—T. H. Green and Co. (advertised in Supplement to *New Zealand Gazette*, No. 64, of the 20th August, 1908).

Applications for Trade Marks opposed.

NOTICES of opposition have been filed in the following cases:—

Nos. 7255, 7256, 7258.—Hancock and Co. (N.Z.) Limited, opposed by J. Dewar and Sons, Limited.
 No. 7332.—Carroll, Hall, and Griffith, opposed by La Société Anonyme le Ferment.

No. 7428.—W. Wylie, opposed by R. Wilson and Co., Limited.
 No. 7449.—Lyttle Bros., opposed by E. Reynolds and Co., Limited.
 No. 7511.—T. H. Green and Co., opposed by Angus Watson and Co.

Trade Mark Renewal Fees paid.

FEES paid for the renewal of the undermentioned Trade Marks for fourteen years from the date first mentioned:—

No. 1279/992.—20th October, 1908.—Smith and Smith, Dunedin, New Zealand. 20th October, 1908.
 No. 1286/1013.—24th October, 1908.—The Riverdale Co-operative Dairy Factory Company, Hawera, New Zealand. 19th October, 1908.
 Nos. 1293/1006, 1294/1050, 1295/1007, 1296/1008, 1297/1009, 1298/1010.—7th November, 1908.—J. Inglis and Co., Sydney, New South Wales. 23rd October, 1908.
 No. 1324/1027.—24th November, 1908.—Gilmore and Co. (Gilmore, Younghusband, and Co.), Auckland, New Zealand. 26th October, 1908.
 No. 1365/1103.—24th January, 1909.—John Robertson and Son, Limited, Dundee, Scotland. 21st October, 1908.

Trade Marks removed from the Register.

TRADE Marks removed from the Register owing to the non-payment of the renewal fee, from the 13th to the 26th October, 1908, inclusive:—

No. 1185/909.—13th July, 1894.—Tuck and Co., Limited, Melbourne, Victoria. Class 50.
 No. 1195/927.—20th July, 1894.—Wilkinson and Son, Dunedin, New Zealand. Class 2.
 No. 1200/910.—25th July, 1894.—Stephen Goss, Te Puke, New Zealand. Class 42.

Alphabetical List of Applicants for Letters Patent for Quarter ending 30th September, 1908.

THIS list includes also (1) applications lodged prior to but gazetted during the quarter, (2) complete specifications following provisional specifications accepted or gazetted during the quarter. Where the number and date of the Gazette are omitted, the application has not yet been accepted.

* Denotes a provisional specification.

† Denotes a prior date under section 98 of "The Patents, Designs, and Trade Marks Act, 1908."

Name, Address, and Invention.	Application.		Gazette.	
	No.	Date.	No.	Date.
Abramowski, O. L. M., and another, Mildura, Vic. (See Ambro, Limited, No. 24698.)				
Adams, H. H., Auckland, N.Z. Auxiliary propeller	24946	17 Sept.		
A. G. E. S. Societa in accomandita semplice per l'Esercizio dei Brevetti Granieri, Rome, Italy. Road-vehicle axle. (L. Granieri)	24889	2 Sept.	79	15 Oct.
Akhurst, H., Riverton, N.Z. Brush	24949	18 Sept.		
Albrecht, C. A., and another, Berlin, Ger. (See J. T. Hunter, 24702.)				
Alcock, F. A., Melbourne, Vic. Cushion-rail for billiard-table ..	23413	4 Sept., 1907	58	23 July.
Alcock, F. A., Melbourne, Vic. Cushion-rail for billiard-table ..	24847	27 Aug.	72	17 Sept.*
Alkemade, P. V. L., Melbourne, Vic. Glass-cleaner	24820	20 Aug.	75	1 Oct.*
Allan, A., and another, Petone, N.Z. Hot-air indicator	24654	14 July	58	23 July.*
Allan, C. F. F., Sydney, N.S.W. Insulated-cabinet oven	24877	2 Sept.		
Allan, F. M., Dunedin, N.Z. Cement-clinker manufacture	24606	1 July	58	23 July.*
Allan, F. M., Dunedin, N.Z. Rotary cement-kiln	24909	9 Sept.	75	1 Oct.*
Ambro, Limited, Mildura, Vic. Food-composition. (O. L. M. Abramowski and F. Rosing)	24698	21 July	69	3 Sept.
Anderson, A. C., Bluff, N.Z. Agricultural implement	24059	25 Feb.	61	6 Aug.
Anderson, A. H., and another, Christchurch, N.Z. Suction dressing apparatus for threshing-machine	24646	11 July	69	3 Sept.
Anderson, J. K., Alexandra South, N.Z. Riveting leather, &c. ..	23315	19 Aug., 1907	61	6 Aug.
Andrew, G. R., Sydney, N.S.W. Dress-cutting chart	24795	13 Aug.	72	17 Sept.
Andrews and Beaven, Limited, Christchurch, N.Z. Chaff-cutter mouth. (W. and F. O. Andrews and A. W. Beaven)	24628	7 July	69	3 Sept.
Andrews, F. H., Brooklyn, N.Z. Seaming-machine	24809	19 Aug.	69	3 Sept.*
Andrews, F. O., and others, Christchurch, N.Z. (See Andrews and Beaven, Limited, No. 24628.)				
Andrews, L. W. D., Auckland, N.Z. Disc talking-machine	24705	21 July	64	20 Aug.*
Andrews, R., Mercer, N.Z. Plough-skeith	24728	28 Aug.	72	17 Sept.
Andrews, W., and others, Wellington, N.Z. Delivering liquors, &c., from bottles	24603	2 July	61	6 Aug.*
Andrews, W., and others, Christchurch, N.Z. (See Andrews and Beaven, Limited, No. 24628.)				
Anketell, C., Masterton, N.Z. Ironing-board	24757	4 Aug.	64	20 Aug.*
Arbuckle, A. J., and another, Johannesburg, Trans. Separating comminuted ores from liquids	24900	9 Sept.	79	15 Oct.
Armstrong, F., Dunedin, N.Z. Metallic alloy	24811	19 Aug.	72	17 Sept.*
Arthur, J., jun., Invercargill, N.Z. Elevator and conveyor	24719	21 July	64	20 Aug.*
Atkinson, J. C., Auckland, N.Z. Hat, book, and umbrella clip ..	23497	18 Sept., 1907	72	17 Sept.
Ault, E., and another, London, Eng. Sewage system	23294	14 Aug., 1907	64	20 Aug.
Austin, E. C., Wanganui, N.Z. Handle for tools	24594	1 July	58	23 July.*
Avery, S. H., Hastings, N.Z. Plaster	24939	18 Sept.		
Badger, M., and another, Rangiora, N.Z. Coin-freed-postage machine	24800	13 Aug.	72	17 Sept.*
Baker, C. A., Oamaru, N.Z. Clothes-peg box	24683	15 July	61	6 Aug.*
Baldwin, E. S., Wellington, N.Z. Motor-car, &c., wheel. (W. T. Smith)	24823	20 Aug.	75	1 Oct.
Ballinger, T. (See T. Ballinger and Co., Limited, No. 24904.)				
Ballinger, T., and Co., Limited, Wellington, N.Z. Cinder-sifter. (T. Ballinger)	24904	10 Sept.		
Barlow, E. C., and another, London, Eng. Metal-can or box manufacture	24763	6 Aug.		
Barlow, E. E., and another, London, Eng. Metal-can or box manufacture	24763	6 Aug.		
Barnard, T., Richmond, Vic. Cycle-pedal clip	24664	14 July	61	6 Aug.*
Barnes, F. S., Seddon, N.Z. Gate	24672	13 July	64	20 Aug.*
Barnes, F. S., Seddon, N.Z. Draw-bar	24673	13 July	64	20 Aug.*
Bartley, A. M., Auckland, N.Z. Rabbeting and grooving attachment to saws	24758	31 July	69	3 Sept.*
Barton, E. L., Hawera, N.Z. Document file, &c.	24666	14 July	61	6 Aug.*
Barton, E. L., Hawera, N.Z. Aeronautical apparatus	24838	25 Aug.	75	1 Oct.*
Barton, T., Hamilton, N.Z. Easy chair	24915	12 Sept.		
Basham, F., Hawera, N.Z. Roadway	24777	10 Aug.	75	1 Oct.
Bates, A., and others, Leicester, Eng. (See United Shoe Machinery Company, No. 24933, 23597.)				
Bates, P., and others, Temuka, N.Z. Spouting-bracket	24797	13 Aug.	75	1 Oct.
Bates, P., and others, Temuka, N.Z. Fire-kindler	24801	14 Aug.		
Baxter, W. C., Bridgewater, U.S.A. (See United Shoe Machinery Company, No. 23492.)				
Bayley, C. S., Auckland, N.Z. Contact system for electric vehicle ..	24675	13 July		
Bayley, C. S., Auckland, N.Z. Trolley-head	24764	3 Aug.	64	20 Aug.*
Bayley, C. S., Auckland, N.Z. Trolley-pole controller	24837	25 Aug.	75	1 Oct.*
Beamish, J. H., Auckland, N.Z. Ventilator for buildings	24955	19 Sept.	79	15 Oct.*
Beaney, H., Auckland, N.Z. Friction hoist	24805	12 Aug.	72	17 Sept.

ALPHABETICAL LIST OF APPLICANTS FOR LETTERS PATENT—continued.

Name, Address, and Invention.	Application.		Gazette.	
	No.	Date.	No.	Date.
Beaven, A. W., and others, Christchurch, N.Z. (See Andrews and Beaven, Limited, No. 24628.)				
Belcher, T., and another, Auckland, N.Z. Safety life-guard for tramcar	24892	3 Sept. ..	79	15 Oct.*
Bellenger, R., The Oaks, N.S.W. Milk-can	24816	20 Aug. ..	69	3 Sept.*
Bellingham, J., and another, Wellington, N.Z. Ferro-concrete construction	24849	28 Aug. ..	75	1 Oct.*
Bellingham, J., and another, Wellington, N.Z. Ferro-concrete facing and lining plate	24988	29 Sept. ..	85	29 Oct.
Bertinslaw, G. J., and others, Wellington, N.Z. Fire-grate ..	24945	19 Sept. ..	79	15 Oct.*
Bickerton, R. T., Wellington, N.Z. Buffer for railway-carriage ..	24848	27 Aug. ..	75	1 Oct.*
Billing, A. F., Auckland, N.Z. Skirt-cutting chart	24752	31 July ..	72	17 Sept.
Billington, J. E., and another, Broadheath, Eng. (See J. T. Hunter, 24906.)				
Bingham, H. N., McTaggart, Canada. Mowing-machine tedder ..	24739	30 July ..	72	17 Sept.
Bird, W. J., and another, Launceston, Tas. Teaching use of rifle ..	23273	8 Aug., 1907	58	23 July.
Blackham, W. H., Melbourne, Vic. Teat-cup support. (W. J. Teese)	22700	17 April, 1907	61	6 Aug.
Blackham, W. H., Melbourne, Vic. Hot and cold water attachment for hydrocarbon engine. (W. J. Teese)	24769	7 Aug. ..	69	3 Sept.*
Blackham, W. H., Melbourne, Vic. Milking apparatus	24796	13 Aug. ..	72	17 Sept.
Blackwell, E. O., Wynyard, Tas. Can-opening attachment	24870	1 Sept. ..	75	1 Oct.*
Blackwell, E. O., Wynyard, Tas. Thresher, &c., for peas	24965	22 Sept. ..	79	15 Oct.*
Blake, J., Otakeho, N.Z. Vacuum milking-machine	24733	28 July ..	75	1 Oct.
Blau, J., Sydney, N.S.W. Scent, &c., sprayer	24636	9 July ..	75	1 Oct.
Bleek, W. A. F., Brisbane, Queensland. Primary battery	23991	11 Feb. ..	54	9 July.
Bliss, F. W., Woodville, N.Z. Bread and meat, &c., cutter	24721	24 July
Bodger, B. R., Christchurch, N.Z. Attaching hooks and eyes to garments	24632	8 July
Boll, P., and another, Deniliquin, N.S.W. Driving sheep-shearing machines	23718	6 Aug., 1907†	64	20 Aug.
Bolton, T., Hamilton, Vic. Disinfecting means	23705	16 Jan. ..	54	9 July.
Bond, T. R., Wanganui, N.Z. Hoe	24888	4 Sept.
Bondfield, C. D., Sydney, N.S.W. Anti-rattler for windows. (G. W. Green)	24678	17 July ..	69	3 Sept.
Bone, C. S., and another, Hastings, N.Z. Acetylene-generator	24677	17 July ..	72	17 Sept.*
Booth, W., and another, Sydney, N.S.W. Butter-cutter	22916	10 May, 1907..	64	20 Aug.
Bostock, E., Stafford, Eng. (See H. Bostock, 24775.)				
Bostock, H., Dunedin, N.Z. Boots and shoes. (E. Bostock)	24775	7 Aug. ..	75	1 Oct.*
Bowling, T., and another, Wellington, N.Z. Hot-air indicator ..	24654	14 July ..	58	23 July.*
Bowman, J., and others, New Plymouth, N.Z. Milking-machine ..	24615	4 July
Brady, J. F., Chicago, U.S.A. Turbine	24818	20 Aug. ..	75	1 Oct.
Breck, T. M., Dunedin, N.Z. Gold-saving apparatus	24718	20 July ..	72	17 Sept.
Brown, F. C., Waihi, N.Z. Ore-treatment	24861	28 Aug. ..	75	1 Oct.*
Budge, J., and another, Sydney, N.S.W. Butter-cutter	22916	10 May, 1907..	64	20 Aug.
Buick, M. E., Auckland, N.Z. Knee-pad for scrubbing	24640	9 July ..	64	20 Aug.
Bunting, A., Nallangote, Vic. Milking-machine	25003	30 Sept. ..	79	15 Oct.*
Burleigh, J. W., Taunton, Eng. (See Zone Dynamo and Motor Patents Company, Limited, No. 24867.)				
Butterworth, E. J., Manurewa, N.Z. Fire-grate	24729	23 July ..	64	20 Aug.*
Butterworth, E. J., Manurewa, N.Z. Instrument for ascertaining distances	24803	15 Aug. ..	69	3 Sept.*
Bythell, F. E., Blenheim, N.Z. Spouting-bracket	24941	18 Sept.
Cameron, H. F., Waikino, N.Z. Beer-tap	24978	28 Sept. ..	79	15 Oct.*
Campbell, A., Sutton, N.Z. Fencing-dropper	24724	22 July
Campbell, A., Sutton, N.Z. Hydraulic nozzle	24947	19 Sept. ..	79	15 Oct.*
Campbell, W., and another, Takapau, N.Z. Flax-machine	24734	29 July ..	64	20 Aug.*
Campbell, W., and another, Marton, N.Z. Cow-bail	24914	12 Sept. ..	79	15 Oct.
Carey, R. F., London, Eng. Opening and closing doors	23917	16 Jan. ..	54	9 July.
Carr, A. L., Te Karaka, N.Z. Fencing-batten	24862	28 Aug.
Carr, S., Onga Onga, N.Z. Flax-treating apparatus	24972	25 Sept. ..	79	15 Oct.*
Carr, W., Dunedin, N.Z. Valve-stem for tire	24608	1 July
Carr, W., Dunedin, N.Z. Pontoon	24911	9 Sept.
Castle, F., Auckland, N.Z. Fire-alarm	24624	6 July ..	58	23 July.*
Castle, F., Auckland, N.Z. Gardening-trowel	24920	14 Sept.
Cederman, A., and another, Hokitika, N.Z. Steam-turbine	24974	25 Sept.
Chalas, A., Philadelphia, U.S.A. Recovering nickel from ores ..	24944	19 Sept.
Chandler, C. P., and another, Yarraville, Vic. Smoke-consumer, &c. .	24599	2 July ..	75	1 Oct.
Chapman, O. C. C., Dunedin, N.Z. Window-lock	24616	6 July ..	61	6 Aug.*
Childs, H., Ashburton, N.Z. Swingletree and draught-equaliser ..	24681	15 July ..	69	3 Sept.
Chisnall, H. J., and another, Christchurch, N.Z. Braces	24688	18 July
Christie, J., Dunedin, N.Z. Electric-conductor conduit	24679	14 July ..	69	3 Sept.
Christie, N. C., and another, Invercargill, N.Z. Air-brake apparatus ..	24753	30 July ..	69	3 Sept.*
Church, W., Northampton, Eng. Device for measuring feet, lasts, &c.	24986	29 Sept. ..	85	29 Oct.
Church, W., Northampton, Eng. Bootmaker's measure	24985	29 Sept. ..	85	29 Oct.
Clemens Horst, E., San Francisco, U.S.A. (See E. Clemens Horst Company, No. 24012.)				
Clemens Horst Company, E., San Francisco, U.S.A. Hop picker and separator. (E. Clemens Horst)	24012	19 Feb. ..	54	9 July.
Clennell, F., and another, Wellington, N.Z. Propeller	24952	21 Sept.
Cochrane, D., Ruataniwha, N.Z. Axle-lubricator	24832	24 Aug. ..	79	15 Oct.*
Cocks, G., Hastings, N.Z. Combination tool	24817	20 Aug. ..	75	1 Oct.*
Coker, F. W., Timaru, N.Z. Speed-gear	24638	7 July ..	61	6 Aug.*

ALPHABETICAL LIST OF APPLICANTS FOR LETTERS PATENT—continued.

Name, Address, and Invention.	Application.		Gazette.	
	No.	Date.	No.	Date.
Coldwell, A. V., Inglewood, N.Z. Coiling and uncoiling fencing-wire ..	24751	31 July ..	72	17 Sept.
Coleman, C. J., New York, U.S.A. Railway signal! ..	24786	12 Aug. ..	75	1 Oct.
Collins, H., and another, Auckland, N.Z. Curtain-suspender, &c. ..	24613	4 July ..	64	20 Aug.
Collins, J. M., and another, Palmerston North. Flax-machine ..	24859	31 Aug. ..	75	1 Oct.*
Colombus, G. L., Little River, N.Z. Breeching-attachment ..	24731	28 July ..	64	20 Aug.*
Cometti, A., and another, Wellington, N.Z. Motor-car wheel ..	24970	24 Sept. ..	79	15 Oct.*
Continental C. and G. Rubber Company Proprietary, Limited, Melbourne, Vic. Tire-pump connection ..	24680	15 July
Cooper, F., Christchurch, N.Z. Grain-drill ..	24938	16 Sept.
Cornes, H. A., Auckland, N.Z. Razor-strop attachment to braces ..	23633	23 Oct., 1907..	69	3 Sept.
Cornford, W. H., Mornington, Vic. Military game ..	23589	12 Oct., 1907..	69	3 Sept.
Cotterell, F., Melbourne, Vic. Glass-bevelling machine ..	24880	3 Sept. ..	79	15 Oct.*
Cousins, D., Auckland, N.Z. Quartz-grinding apparatus ..	24896	5 Sept. ..	79	15 Oct.*
Couteur. (See Le Couteur.)				
Cox, F. J., London, Eng. Carburetter ..	23790	4 Dec., 1906†	58	23 July.
Craig, W., and another, Wanganui, N.Z. Flax-dressing ..	23043	25 June, 1907	54	9 July.
Craw, G., Linton, N.Z. Flax-dressing process and apparatus ..	24810	19 Aug. ..	75	1 Oct.*
Craw, G., Linton, N.Z. Flax-treating apparatus ..	24924	16 Sept. ..	79	15 Oct.*
Crawford, G. M., Roslyn, N.Z. Trolley-head ..	24890	3 Sept. ..	75	1 Oct.*
Crawford, W. F., Gisborne, N.Z. Sheep-shearing machine ..	23389	27 Aug., 1907	58	23 July.
Critchfield, J. V., and another, Wellington, N.Z. Air-brake coupling ..	24626	6 July ..	61	6 Aug.*
Crook, J., Auckland, N.Z. Air-gas production ..	24710	16 July ..	64	20 Aug.
Crowe, E. P., Donald, Vic. Boring and straining appliance ..	24791	13 Aug. ..	69	3 Sept.*
Cullen, F. J., Napier, N.Z. Sheep-shearing machine ..	24871	1 Sept. ..	75	1 Oct.*
Cutler, W., Birmingham, Eng. Propelling boats, &c. ..	24056	26 Feb. ..	64	20 Aug.
Currie, J., Shannon, N.Z. Flax-washer ..	24969	24 Sept.
Dando, F., Beaconsfield, N.Z. Game, &c. ..	24713	23 July ..	64	20 Aug.*
Davies, G. L., and others, London, Eng. Artificial fuel ..	24648	7 July ..	61	6 Aug.*
Davis, N., and others, Footscray, Vic. Musical instrument ..	24790	13 Aug. ..	69	3 Sept.*
Day, S. H., Barkly, N.Z. Whippetree ..	24649	11 July ..	64	20 Aug.*
Desmoulines, H. P., Dunedin, N.Z. (See N.Z. Acetylene-gas Lighting Company, Limited, No. 24744.)				
Desy, L. A., Montreal, Canada. (See J. W. Harris, No. 24755.)				
Dow, G., and another, Yarraville, Vic. Smoke-consumer, &c. ..	24599	2 July ..	75	1 Oct.
Downey, E., Wanganui, N.Z. Umbrella-holder for vehicle ..	24839	21 Aug. ..	72	17 Sept.*
Dryland, H., and another, Auckland, N.Z. Ornamental fountain ..	24641	8 July ..	61	6 Aug.*
Duncan, P. and D., Limited, Christchurch, N.Z. Disc harrow. (J. Keir)	24674	15 July ..	61	6 Aug.*
Dunne, R., Dunedin, N.Z. Mitre-cutter ..	23680	2 Nov., 1907	75	1 Oct.
Dyason, J. P., and another, Collingwood, Vic. Dish-washer, &c. ..	24707	23 July ..	64	20 Aug.*
Eady, W. N., Dunedin, N.Z. Grate ..	24617	3 July ..	61	6 Aug.*
Edgar, J., and another, Auckland, N.Z. Life-saving catcher for tram ..	24779	7 Aug. ..	69	3 Sept.*
Ell, H. C., and another, Halswell, N.Z. Suction dressing apparatus for threshing-machine ..	24646	11 July ..	69	3 Sept.
Ellis, P., Wellington, N.Z. Compressor ..	24840	26 Aug. ..	75	1 Oct.*
Elmsly, C. S., and others, Temuka, N.Z. Spouting-bracket ..	24797	13 Aug. ..	75	1 Oct.
Elmsly, C. S., and others, Temuka, N.Z. Fire-kindler ..	24801	14 Aug.
Eppler, E., Allston, U.S.A. (See United Shoe Machinery Company, Nos. 23345, 23346, 24932.)				
Ericsson, A. J., Stocksund, Sweden. Grinding-machine ..	24022	19 Feb. ..	69	3 Sept.
Eugster, O. L., London, Eng. Porcelain-lined siphon-heads ..	24899	6 Nov., 1907†	79	15 Oct.
Falkiner, R., and another, Moonbria, N.S.W. Driving sheep-shearing machines ..	23718	6 Aug., 1907†	64	20 Aug.
Faulkner, J. W., Dunedin, N.Z. Fireproof wire cloth ..	24347	13 July ..	69	3 Sept.
Fellows, G. R., Onehunga, N.Z. Gas-producer ..	24749	28 July ..	64	20 Aug.*
Fenton, J., Grey Lynn, N.Z. Clothes-drying apparatus ..	24693	20 July ..	64	20 Aug.*
Ferguson, J., and another, Auckland, N.Z. Fencing-wire carrier ..	23710	13 Nov., 1907	61	6 Aug.*
Ferris, A., and another, Fitzroy, Vic. Post-hole digger ..	24961	23 Sept. ..	79	15 Oct.*
Firth, E. T. C., Epsom, N.Z. Building-block ..	24979	24 Sept.
Firth, T., Wellington, N.Z. Horse-controller ..	24794	13 Aug.
Fitchett, J., Wellington, N.Z. Tipping-lorry ..	24778	11 Aug. ..	72	17 Sept.*
Forbes, O. V., London, Eng. Boot. (J. T. Woolston)	24661	14 July ..	64	20 Aug.
Forsyth, G., Christchurch, N.Z. Egg-carrier ..	24748	30 July ..	64	20 Aug.*
Forsyth, G., Christchurch, N.Z. Toaster and grill ..	24773	7 Aug. ..	72	17 Sept.*
Forward, G. E., and another, Launceston, Tas. Teaching use of rifle ..	23273	8 Aug., 1907	58	23 July.
France, H. B., Levin, N.Z. Metal covering for buildings ..	23061	28 June, 1907	58	23 July.
Fraser, G. H., New York, U.S.A. Crushing-machine ..	23605	17 Oct., 1907..	64	20 Aug.
Fraser, J., and others, Auckland, N.Z. Recording deviations in vessel's course ..	24735	27 July ..	61	6 Aug.*
Fraser, S. E., and others, Waikino, N.Z. Recording deviations in vessel's course ..	24735	27 July ..	61	6 Aug.*
French, T., Waitara, N.Z. Gate, &c., post ..	24956	18 Sept. ..	79	15 Oct.*
Frew, R., Dunedin, N.Z. Table-bowls ..	24635	6 July ..	69	3 Sept.
Friese-Greene Patents, Limited, London, Eng. Cinematographic apparatus. (W. Friese-Greene)	24922	15 Sept. ..	85	29 Oct.
Friese-Greene, W., Brighton, Eng. (See Friese-Greene Patents, Limited, No. 24922.)				

ALPHABETICAL LIST OF APPLICANTS FOR LETTERS PATENT—continued.

Name, Address, and Invention.	Application.		Gazette.	
	No.	Date.	No.	Date.
Gane, C. E., Normanby, N.Z. Milking-machine	24886	4 Sept. ..	75	1 Oct.*
Garey, W. E., Auckland, N.Z. Electric-lamp holder	24992	30 Sept.
Gazzard, E. J., and another, Auckland, N.Z. Mortise-machine	24814	17 Aug. ..	69	3 Sept.*
Gazzard, H. V., and another, Auckland, N.Z. Mortise-machine	24814	17 Aug. ..	69	3 Sept.*
Geake, W. H. G., Sydney, N.S.W. Tennis-shirt	24815	20 Aug. ..	72	17 Sept.*
Gee, E. J., Christchurch, N.Z. Sun-blind	23652	28 Oct., 1907..	58	23 July.
Gelzenlichter, J., Lynn, U.S.A. (See Manufacturers' Machine Company, No. 23376.)				
Gerlach, B., and another, Collingwood, Vic. Dish-washer. &c.	24707	23 July ..	64	20 Aug.*
Gibbins, D., Adelaide, S. Aust. Rabbit-trapping device	24863	1 Sept. ..	75	1 Oct.*
Gibbon, J., Komata Reefs, N.Z. Drill-holder	24725	25 July ..	64	20 Aug.*
Gilberd, D., and another, Henderson, N.Z. Pile-driving apparatus	24844	22 Aug. ..	75	1 Oct.*
Gilberd, G., and another, Henderson, N.Z. Pile-driving apparatus	24844	22 Aug. ..	75	1 Oct.*
Gillespie, R., and another, Richmond, Vic. Determining moisture in wool, hemp, &c.	24841	26 Aug. ..	75	1 Oct.*
Gillies, A., Heidelberg, Vic. Teat-cup for milking-machine	24788	12 Aug. ..	69	3 Sept.*
Glass, P. R., Boston, U.S.A. (See Manufacturers' Machine Company, No. 23158.)				
Glenister, G. W., and another, London, Eng. Match-manufacture	24633	8 July ..	61	6 Aug.
Glenister, J. E., and another, London, Eng. Match-manufacture	24633	8 July ..	61	6 Aug.
Gottlieb, C. J. A., Aarhus, Denmark. Condenser or vaporiser	24592	1 July ..	64	20 Aug.
Gough, G. W., Dunedin, N.Z. Book-support	24771	8 Aug. ..	69	3 Sept.*
Gouldburn, J., and others, Leicester, Eng. (See United Shoe Machinery Company, No. 24933.)				
Gowdy, E. W., Gore, N.Z. Railway-coupling	24717	23 July ..	64	20 Aug.*
Gowdy, E. W., Gore, N.Z. Rail-joint	24940	18 Sept. ..	85	29 Oct.*
Grace, L. G., Hawera, N.Z. Bicycle-fork	24690	20 July ..	64	20 Aug.*
Graham, S., Wendon, N.Z. Fibre-manufacture	24691	17 July ..	61	6 Aug.*
Grainiger, G. W., Kiritaki, N.Z. Concrete fencing-post	24665	14 July ..	64	20 Aug.
Granieri, L., Rome, Italy. (See A. G. E. S. Societa, etc., No. 24889.)				
Grant, C., Hamilton, N.Z. Tine and chain harrow	24981	24 Sept. ..	79	15 Oct.*
Grant, J., Lower Shotover, N.Z. Gate-fastening	24746	28 July ..	64	20 Aug.*
Green, G. W., Sydney, N.S.W. (See C. D. Bondfield, No. 24678.)				
Greene. (See Friese-Greene.)				
Greer, F. S., Sydney, N.S.W. Visible gas for testing pipes	24711	6 April† ..	85	29 Oct.
Greer, F. S., Sydney, N.S.W. Fumigator	24712	9 April† ..	79	15 Oct.
Grice, J., Palmerston North, N.Z. Cycle-lock	24593	1 July ..	58	23 July.*
Grote, L., and others, London, Eng. Artificial fuel	24648	7 July ..	61	6 Aug.*
Guinan, M., Kelso, N.Z. Administering pills to horses	24754	31 July ..	72	17 Sept.
Gundrie, W. W., Taihape, N.Z. Wire handle for buckets	24993	30 Sept. ..	85	29 Oct.
Gunn, A., Wanganui, N.Z. Linoleum-glaze	24630	7 July
Gurr, G., and another, Dunedin, N.Z. Locomotive-alarm	24647	7 July
Gurr, T. S., and another, Dunedin, N.Z. Locomotive-alarm	24647	7 July
Guscott, H., Brunswick, N.Z. Fencing-standard	24699	18 July ..	69	3 Sept.*
Hall, A. J., Christchurch, N.Z. Gas-cut-off valve.	24726	25 July ..	61	6 Aug.*
Hallett, T., Auckland, N.Z. Flax-washer	24756	4 Aug. ..	64	20 Aug.*
Hally, J., and another, Auckland, N.Z. Safety life-guard for tram-cars	24892	3 Sept. ..	79	15 Oct.*
Hanman, J. L., Hamstead, Eng. Rotary pump	24819	20 Aug.
Hardie, J., Wellington, N.Z. Feed-mechanism for chaff-cutter	24783	11 Aug. ..	69	3 Sept.*
Hardinge, H. W., Manhattan, U.S.A. Ore-disintegrator	24866	1 Sept. ..	79	15 Oct.
Hardwick, J. E., and another, Perth, W. Aust. Horse-collar	24589	1 July ..	64	20 Aug.
Hardwick, W., and another, York, W. Aust. Horse-collar.	24589	1 July ..	64	20 Aug.
Harker, G., Petersham, N.S.W. Fumigating and disinfecting apparatus	24959	23 Sept. ..	85	29 Oct.
Harkin, A. E., Wellington, N.Z. Boot for painters, &c.	24741	30 July ..	64	20 Aug.*
Harkin, A. E., Wellington, N.Z. Revolving-table	24942	18 Sept.
Harris, J. W., Montreal, Canada. Excavator. (L. A. Desy)	24755	3 Aug.
Hartley, W., Burton-on-Trent, Eng. Incandescent-vapour lamp	24662	14 July ..	69	3 Sept.
Hayes, E., Rough Ridge, N.Z. Fencing-link	23727	16 Nov., 1907	69	3 Sept.
Hayes, L., Rough Ridge, N.Z. Railway snow-scoop	24831	20 Aug. ..	72	17 Sept.*
Heiden, C. V., Sydney, N.S.W. Piano	24977	28 Sept. ..	85	29 Oct.
Hemery, C. J., Auckland, N.Z. Artificial fuel	23552	3 Oct., 1907..	61	6 Aug.
Henderson, W., and another, Invercargill, N.Z. Air-brake apparatus	24753	30 July ..	69	3 Sept.*
Hewson, C., Orari, N.Z. Rail-joint	24824	20 Aug. ..	72	17 Sept.
Heys, J. E., Christchurch, N.Z. Egg-carrier	24851	28 Aug. ..	72	17 Sept.
Heys, J. J., Lynn, U.S.A. (See Manufacturers' Machine Company, No. 23160.)				
Higgs, W. G., and others, Sydney, N.S.W. Fuel-economizer	24596	2 July ..	69	3 Sept.
Hill, C., and another, Christchurch, N.Z. Artificial denture	24671	15 July ..	61	6 Aug.*
Hill, E., and others, Papakura, N.Z. Potato grubber and cultivator	24701	18 July ..	64	20 Aug.*
Hoban, A. J., Scargill, N.Z. Girth-gall preventative	23327	21 Aug., 1907	64	20 Aug.
Hobbs, J. C., Awahuri, N.Z. Wax and oil extractor	24827	19 Aug. ..	75	1 Oct.*
Hodson, J. E., Richmond, N.Z. Pneumatic-wheel tube	24620	2 July
Hogg, D., Christchurch, N.Z. Disc cultivator	23213	26 July, 1907	61	6 Aug.
Hogg, T. R., Christchurch, N.Z. Potato-plough	22834	16 May, 1907..	61	6 Aug.
Hollingworth, A., Hawera, N.Z. Tire	24658	14 July
Hooper, W. H., Lynn, U.S.A. Boot-treating machine	23055	2 July, 1906†	54	9 July.
Hooper, W. H., Swampscott, U.S.A. (See Manufacturers' Machine Company, Nos. 23157, 23304.)				
Hope, E., and another, Christchurch, N.Z. Artificial denture	24671	15 July ..	61	6 Aug.*
Hope, E., Christchurch, N.Z. Spark-extinguisher	24858	31 Aug. ..	79	15 Oct.*
Hope - Johnstone, C. H. E., Aramoho, N.Z. Milk-food. (Nutricia Centrale fur Backhausmilch, G.m.b.h.—G. Litsche)	23412	1 Sept., 1907	64	20 Aug.

ALPHABETICAL LIST OF APPLICANTS FOR LETTERS PATENT—*continued.*

Name, Address, and Invention.	Application.		Gazette.	
	No.	Date.	No.	Date.
Horman, A., Lorne, N.Z. Artificial minnow	25004	30 Sept.	79	15 Oct.*
Horst. (See Clemens Horst.)				
Houlker, W., Nelson, N.Z. Cask	24802	15 Aug.	72	17 Sept.
Howcroft, W. J., Brisbane, Q. Clothes-washer	24846	27 Aug.	75	1 Oct.*
Hudson, J. G., and another, Wanganui, N.Z. Railway-signal apparatus	24686	18 July	61	6 Aug.*
Hudson, R., and Co., Limited, Dunedin, N.Z. Box or case. (R. G. Hudson)	24929	12 Sept.
Hudson, R. G., Dunedin, N.Z. (See R. Hudson and Co., Limited, No. 24929.)				
Hughes, P. R., Geelong, Vic. Hoisting and stacking wool-bales, &c.	23667	31 Oct., 1907	72	17 Sept.
Hume, A. G., and another, Wellington, N.Z. Label making and printing machine	24989	30 Sept.	79	15 Oct.*
Humphries, G. E., Wellington, N.Z. Platform-support	24887	4 Sept.	79	15 Oct.
Hunter, J. T., Wellington, N.Z. Typographical composing-machine. (Linotype and Machinery, Limited—C. A. Albrecht and C. Muehleisen)	24702	21 July	69	3 Sept.
Hunter, J. T., Wellington, N.Z. Typographical composing-machine. (Linotype and Machinery, Limited—H. Pearce and J. E. Billing-ton)	24906	10 Sept.	79	15 Oct.
Hunton, G. W., Christchurch, N.Z. Boot or shoe	24836	25 Aug.	72	17 Sept.
Hurle, J., and others, New Plymouth, N.Z. Milking-machine	24615	4 July
Hursthouse, F., Manchester, Eng. Lamp-extinguisher	24765	6 Aug.	72	17 Sept.
Hutchinson, G., and another, Christchurch, N.Z. Cool-storage safe	24884	3 Sept.	79	15 Oct.*
Hutchinson, G. F., Kapuni, N.Z. Fluid pressure or suction motor	24730	27 July	61	6 Aug.*
Hutchinson, J. H., Auckland, N.Z. Tipping-lorry	24885	1 Sept.	79	15 Oct.*
Hyde, G., Masterton, N.Z. Holder for telephone-list	24916	12 Sept.
Inglis, G., Karangahake, N.Z. Pipe-junction	23588	12 Oct., 1907	61	6 Aug.
Iwikau, T., and another, Marton, N.Z. Cow-bail	24914	12 Sept.	79	15 Oct.
Jackson, W., and another, Leicester, Eng. (See United Shoe Machinery Company, No. 23715.)				
James, A., London, Eng. Tube or ball mill. (W. Neal)	24732	28 July	72	17 Sept.
James, F. H., Napier, N.Z. Target	24762	4 Aug.	64	20 Aug.*
Jamieson, J., and another, Christchurch, N.Z. Braces	24688	18 July
Jeanney, M., St. Claude, France. (See M. Ruddy, No. 24868.)				
Jeffrey, T., and another, Birkdale, N.Z. Flooring-compound	23935	27 Jan.	61	6 Aug.
Jellyman, W. A., New Plymouth, N.Z. Removing turnips, &c., from throats of cattle.	24602	2 July	61	6 Aug.*
Jenkin, W. T., Sale, Vic. Apparatus for weighing predetermined quantities	24833	22 Aug.	75	1 Oct.*
Jenkins, C. A., and another, Petone, N.Z. Air-brake coupling	24626	6 July	61	6 Aug.*
Jenkinson, G. H., and another, Wellington, N.Z. Milk, &c., cooler	24917	14 Sept.
Jensen, A., Eureka, U.S.A. Liquid-ripeners	24644	11 July	64	20 Aug.
Jensen, I. R., and another, N.Z. Flooring-compound	23935	27 Jan.	61	6 Aug.
Jerram, A. E., and others, Leicester, Eng. (See United Shoe Machinery Company, No. 24933.)				
Johnson, R. H., Dunedin, N.Z. Washing-tub	24770	3 Aug.
Johnson, W. T., Wellington, N.Z. Weather-stop for windows	23854	23 Dec., 1907	69	3 Sept.
Johnstone, R., and others, Footscray, Vic. Musical instrument	24790	13 Aug.	69	3 Sept.*
Johnstone. (See Hope-Johnstone.)				
Jones, H. E., Palmerston North, N.Z. Bicycle-pump holder	24612	4 July	64	20 Aug.
Jones, W. W., and another, Auckland, N.Z. Revolving-sign	24834	22 Aug.	79	15 Oct.*
Jowett, J., Bolton-le-Sands, Eng. Coal-gas manufacture	24631	8 July	64	20 Aug.
Jumeaux, C., and others, Auckland, N.Z. Recording deviations in vessel's course.	24735	29 July	61	6 Aug.*
Kaleski, R. L. S., Holdsworth, N.S.W. Knife	24637	12 Aug., 1907†
Katene, W., Rotorua, N.Z. Fish-hook and bait	24653	13 July	61	6 Aug.*
Keen, W. M., and another, Sydney, N.S.W. Rabbit-preserving process	24656	11 July	61	6 Aug.*
Keir, J., Sydenham, N.Z. (See P. and D. Duncan, Limited, No. 24674.)				
Kelly, J. D., and others, Wellington, N.Z. Delivering liquors from bottles, &c.	24603	2 July	61	6 Aug.*
Kempshall, E., London, Eng. Tire	24663	29 Aug., 1907†
Kendrick, C., Tariki, N.Z. Milk-cooler	24912	8 Sept.
Kent, J. R., Christchurch, N.Z. Shoette-upper	24857	31 Aug.	75	1 Oct.*
Kilborn, A., Middle Brighton, Vic. Valve-mechanism	24843	26 Aug.	75	1 Oct.
Kinney, A. F., Rockdale, N.Z. Sheep-dipping apparatus	24881	3 Sept.	79	15 Oct.*
Kreissig, M., Wellington, N.Z. Water-tap	24669	14 July	61	6 Aug.*
Kristensen, K. B., Wellington, N.Z. Motor	24766	6 Aug.	69	3 Sept.*
Kyle, T. D., Sydney, N.S.W. (C. A. Macdonald, No. 24706.)				
Lamb and Todd, Limited, Wellington, N.Z. Storing and displaying curtains. (T. H. White)	23041	25 June, 1907	75	1 Oct.
Lamb, G., Carterton, N.Z. Door-holder	24806	17 Aug.	69	3 Sept.*
Landells, W. G., Coburg, Vic. Cattle-branding appliance	24283	21 April	69	3 Sept.
Landon, J. M., London, Eng. Talking-machine	24708	23 July	64	20 Aug.*
Langton, E. G., Masterton, N.Z. Shirt-cuff fastener	23528	27 Sept., 1907	69	3 Sept.
Lazell, E. W., and another, Philadelphia, U.S.A. (See H. S. Spackman Engineering Company, No. 25005.)				
Leavitt, J. E., Suffolk, U.S.A. (See Manufacturers' Machine Company, No. 23159.)				
Le Couteur, J. G., Petersham, N.S.W. Draught collar	24740	30 July

ALPHABETICAL LIST OF APPLICANTS FOR LETTERS PATENT—continued.

Name, Address, and Invention.	Application.		Gazette.	
	No.	Date.	No.	Date.
Lederer, A., Vienna, Austria. (See Westinghouse Metal Filament Lamp Company, Limited, Nos. 24864, 24865, and 24905.)				
Le Marquand, C. W., and another, Auckland, N.Z. Utilising engine-exhaust for heating liquids	24860	31 Aug. ..	79	15 Oct.*
Le Marquand, P. A., and another, Auckland, N.Z. Utilising engine-exhaust for heating liquids	24860	31 Aug. ..	79	15 Oct.*
Le Roy, E., Devonport, N.Z. Hammock and swing-cot	24879	31 Aug. ..	75	1 Oct.*
Lietz, W. F., Wellington, N.Z. Receptacle or carrier for liquid ..	24782	11 Aug. ..	69	3 Sept.*
Lietz, W. F., and another, Wellington, N.Z. Paper, &c., receptacle	24687	18 July ..	61	6 Aug.*
Lightband, C. D., Wellington, N.Z. Vehicle-tire	24627	7 July
Lightband, C. D., Wellington, N.Z. Food for pigs, &c.	24980	28 Sept.
Lindsay, H. E., Christchurch, N.Z. Arranging and filing documents	23996	12 Feb. ..	58	23 July.*
Lindsay, J. A., Flemington, Scot. Buffer-cylinder	24828	19 Aug. ..	79	15 Oct.
Linotype Machinery, Limited, London, Eng. (See J. T. Hunter, Nos. 24702, 24906.)				
Linstrom, F. O., Blenheim, N.Z. Digger-plough	24874	2 Sept. ..	79	15 Oct.*
Litsche, G., Berlin, Ger. (See C. H. E. Hope-Johnstone, No. 23412.)				
Logan, H. A., Christchurch, N.Z. Bicycle-support	24604	3 July
Loomes, C., Wellington, N.Z. Wool-pack	24639	10 July ..	61	6 Aug.*
Lopdell, J. F., Invercargill, N.Z. Fireplace-rack	24893	4 Sept. ..	79	15 Oct.*
Low, J., and another, Palmerston North, N.Z. Flax-machine ..	24859	31 Aug. ..	75	1 Oct.*
Lowe, G. I., Himatangi, N.Z. Rail-joint	24761	4 Aug.
Luke, R. L. L., Clinton, N.Z. Brooch-pin	24745	27 July ..	64	20 Aug.*
Lungley, C. F., Albert Park, Vic. Preserving composition for iron, steel, &c.	24714	23 July ..	69	3 Sept.*
Lyell, A., Wellington, N.Z. Railway-carriage coupling	24822	20 Aug. ..	75	1 Oct.*
Lyell, A., Wellington, N.Z. Pudding-mould	24918	14 Sept.
Lyttleton, W. R., Rakaia, N.Z. Music-leaf turner	24897	8 Sept. ..	79	15 Oct.*
Macallister, J. F., Timaru, N.Z. Railway-carriage-door actuator ..	24854	29 Aug. ..	85	29 Oct.*
MacArthur, A., Maheno, N.Z. California-thistle-exterminating composition	24696	20 July
Macdonald, C. A. Sydney, N.S.W. Butter - manufacture. (T. D. Kyle)	24706	23 July ..	72	17 Sept.
Macdonald, V., Melbourne, Vic. Casting dental inlays	24692	17 July ..	61	6 Aug.*
MacEwan, G. H., Dunedin, N.Z. Driving-mechanism for milk and curd agitating apparatus. (R. W. D. Robertson)	24813	17 Aug. ..	85	29 Oct.*
Mahon, G. L., Hamilton, N.Z. Hat-pin	24808	18 Aug.
Main, J. E., Christchurch, N.Z. Lawn-trimmer	24954	21 Sept. ..	85	29 Oct.
Mander, F. H., Whakapara, N.Z. Saw-frame-spacing device ..	24991	30 Sept. ..	79	15 Oct.*
Manufacturers' Machine Company, Montclair, U.S.A. Channel-flap layer. (W. H. Hooper)	23157	18 July, 1907	58	23 July.
Manufacturers' Machine Company, Montclair, U.S.A. Driving metallic fasteners. (P. R. Glass)	23158	18 July, 1907	58	23 July.
Manufacturers' Machine Company, Montclair, U.S.A. Buffing-machine. (J. E. Leavitt)	23159	18 July, 1907	58	23 July.
Manufacturers' Machine Company, Montclair, U.S.A. Stitch-impression-finishing machine. (J. J. Heys)	23160	18 July, 1907	58	23 July.
Manufacturers' Machine Company, Montclair, U.S.A. Assembling shoe uppers and soles. (W. H. Hooper)	23304	15 Aug., 1907	58	23 July.
Manufacturers' Machine Company, Montclair, U.S.A. Pad - cover. (G. F. Stewart)	23424	5 Sept., 1907	58	23 July.
Manufacturers' Machine Company, Montclair, U.S.A. Buffing-machine. (J. Gelzenlichter)	23376	28 Aug., 1907	69	3 Sept.
Mardon, J. W., and another, Wellington, N.Z. Railway-signal ..	24686	18 July ..	61	6 Aug.*
Marks, J., Devonport, N.Z. Turbine	24657	11 July ..	61	6 Aug.*
Marks, S. A. B., and another, Sydney, N.S.W. Hat-fastening ..	24798	13 Aug.
Marquand. (See Le Marquand.)				
Martin, H. S., Liverpool, Eng. Electrical resistance device ..	24789	12 Aug. ..	69	3 Sept.*
Martyn, T., Paeroa, N.Z. Reversible frame for window-sash ..	24605	3 July ..	69	3 Sept.
Martyn, T., Paeroa, N.Z. Flooring- and match-boarding joints ..	24682	18 July
Martyn, T., Paeroa, N.Z. Billiard-table	24776	10 Aug.
Martyn, T., Paeroa, N.Z. Weatherboarding for buildings ..	24781	11 Aug.
Mascord, G. W., London, Eng. Transmission and generation of motive power	24659	14 July
Mason, S. E., and another, Wellington, N.Z. Food-preserving apparatus	24784	12 Aug.
Maunder, R. M., and another, Palmerston North, N.Z. Curtain-lifter	24826	22 Aug. ..	75	1 Oct.*
May, F. W., Shannon, N.Z. Flax-washer	24971	24 Sept. ..	79	15 Oct.*
Mayson, T. W., and another, Auckland, N.Z. Life-saving catcher for tramcar	24779	7 Aug. ..	69	3 Sept.*
McCarthy, A. J., and another, Wellington, N.Z. Motor-car wheel ..	24970	24 Sept. ..	79	15 Oct.*
McCarthy, J. W., Palmerston North, N.Z. Spanner	24975	25 Sept. ..	85	29 Oct.
McCorkindale, N. M., Manuka Creek, N.Z. Plough	24618	3 July ..	75	1 Oct.*
McDermott, P. J., and another, Auckland, N.Z. Ornamental fountain	24641	8 July ..	61	6 Aug.*
McEachern, W., Rosewood, N.S.W. Lifting-jack	24835	25 Aug. ..	75	1 Oct.*
McElroy, W. J., Auckland, N.Z. Mowing-machine	24629	7 July ..	61	6 Aug.*
McElroy, W. J., Glorit, N.Z. Scrub-cutter	24919	14 Sept.
McGaffin, R., Hastings, N.Z. Flax-catcher	24943	17 Sept. ..	79	15 Oct.*
McGeever, W. H., Greenmount, Q. Staff-working of rail and tramway	24821	20 Aug. ..	72	17 Sept.*
McGrath, M. J., Wellington, N.Z. Coal-loading appliance ..	24694	20 July ..	61	6 Aug.*
McGregor, G., and others, Melbourne, Vic. Fuel-economizer ..	24596	2 July ..	69	3 Sept.
McIntyre, C. S., Brixton, Eng. Casting chain-links	24703	21 July ..	69	3 Sept.
McIntyre, C., Wellington, N.Z. Fumigating appliance	24750	31 July ..	64	20 Aug.*

ALPHABETICAL LIST OF APPLICANTS FOR LETTERS PATENT—*continued.*

Name, Address, and Invention.	Application.		Gazette.	
	No.	Date.	No.	Date.
McLaren, J., Ascot Vale, Vic. Soft-metal-headed nail	24590	1 July ..	64	20 Aug.
McLaughlin, F., Wellington, N.Z. Go-cart	24935	17 Sept. ..	79	15 Oct.*
McLaurin, J. D., Pohangina, N.Z. Introducing certificate, &c., into wool-bales	23569	10 Oct., 1907	61	6 Aug.
McLellan, L., Auckland, N.Z. Ferro-concrete-moulding machine ..	24685	18 July ..	75	1 Oct.
Millward, C. F., Wanganui, N.Z. Sack-filling device	24882	31 Aug. ..	79	15 Oct.*
Mitchell, H. C., London, Eng. Paper-treatment	24923	4 July, 1906†	75	1 Oct.
Mitchell, J., Auckland, N.Z. Walling and partitions	24166	20 March ..	72	17 Sept.*
Moffat, J., Christchurch, N.Z. Gate	24842	26 Aug. ..	75	1 Oct.
Moffatt, H., and another, Kairanga, N.Z. Curtain-lifter	24826	22 Aug. ..	75	1 Oct.*
Moir, J. B., Invercargill, N.Z. Washstand	24891	3 Sept. ..	79	15 Oct.
Molloy, J. F., and another, Wellington, N.Z. Overlay process for block-printing	24736	29 July ..	64	20 Aug.*
Moore, J., and another, Sydney, N.S.W. Rabbit-preserving process ..	24656	11 July ..	61	6 Aug.*
Morris, J., and another, Sydney, N.S.W. Hat-fastening	24798	13 Aug.
Morrison, A., Dunedin, N.Z. Stern-tube of steamer	24987	29 Sept. ..	85	29 Oct.
Morton, W., Dunedin, N.Z. Current-motor	24973	23 Sept. ..	85	29 Oct.
Moss, E., Christchurch, N.Z. Fire-alarm	24676	16 July ..	61	6 Aug.*
Moss, E., Christchurch, N.Z. Fire-alarm	24984	28 Sept. ..	79	15 Oct.*
Muehleisen, C., and another, Berlin, Ger. (See J. T. Hunter, No. 24702.)				
Munns, G. C., Auckland, N.Z. Water-sprayer	23768	27 Nov., 1907	72	17 Sept.
Murehie, G. D., and another, Christchurch, N.Z. Coin-freed postage machine	24800	13 Aug. ..	72	17 Sept.*
Murchison, J. A., Waikaitia, N.Z. Wire-strainer	24951	17 Sept.
Nance, C. W., Sydney, N.S.W. Preserving and storing comestibles ..	24704	21 July ..	64	20 Aug.*
Nathan, H., Geraldton, W.A. Animal-emasculator	24768	7 Aug. ..	69	3 Sept.*
Neal, W., Michoacan, Mexico. (See A. James, No. 24732.)				
Nesbit, E., Swan Hill, Vic. Braces	24353	5 May ..	72	17 Sept.
Nesbit, E., Swan Hill, Vic. Shoulder-strap, skirt-holder, &c. ..	24354	5 May ..	72	17 Sept.
New Zealand Acetylene-gas Lighting Company, Limited, Dunedin, N.Z. Acetylene-generator. (H. P. Desmoulin.)	24744	28 July ..	75	1 Oct.
Newberry, S. B., Sandusky, U.S.A. (See Wilson's Portland Cement Company, Limited, No. 24780.)				
Newbould, M. G., Napier, N.Z. Alternating-current cut-off	24393	14 May ..	69	3 Sept.
Newth, W. H. D., Christchurch, N.Z. Vessel-holder	24600	2 July ..	61	6 Aug.
Nicholson, H. A., Otautau, N.Z. Flax-treatment	23312	16 Aug., 1907	64	20 Aug.
Nordberg, C. V., Kiwi, N.Z. Hop-stringer	24825	18 Aug.
Norman, J. E., Leicester, Eng. Manifold-book	24787	12 Aug.
Norton, E. E., Bridgeport, U.S.A. (See J. A. Whitman, Nos. 24722, 24723.)				
Nutricia Centrale fur Backhausmilch, G.m.b.h., Berlin, Ger. (See C. H. E. Hope-Johnstone, No. 23412.)				
Oakley, H., and another, Christchurch, N.Z. Snow-board	24634	8 July ..	61	6 Aug.*
Oakley, H., and another, Christchurch, N.Z. Flushing-cistern attachment. (F. Wright)	24727	25 July ..	64	20 Aug.*
O'Connor, D., and another, Wellington, N.Z. Paper, &c., receptacle	24687	18 July ..	61	6 Aug.*
O'Connor, W. J., Nightcaps, N.Z. Hammer and spanner	23421	27 Aug., 1907	64	20 Aug.
Osborne, A., and another, Johannesburg, Trans. Separating comminuted ores from liquids	24900	9 Sept. ..	79	15 Oct.
Owen, J. W., Camden, U.S.A. Sound-record manufacture	24964	23 Sept., 1907†
Packer, L., Christchurch, N.Z. Trouser-clip	24774	10 Aug. ..	69	3 Sept.*
Pannett, J. A., Christchurch, N.Z. Lagoon-drainage system	24958	22 Sept. ..	85	29 Oct.
Papworth, E., and others, Papakura, N.Z. Potato grubber and cultivator	24701	18 July ..	64	20 Aug.*
Park, A. J., Dunedin, N.Z. Cement-burning apparatus	24607	1 July ..	75	1 Oct.*
Parker, A., and another, Wellington, N.Z. Label making and printing machine	24989	30 Sept. ..	79	15 Oct.*
Paterson, J. A., Wellington, N.Z. Hydrocarbon-gas generator	24772	8 Aug. ..	69	3 Sept.*
Peake, J., and another, Hokitika, N.Z. Steam-turbine	24974	25 Sept.
Pearce, H., and another, Broadheath, Eng. (See J. T. Hunter, No. 24906.)				
Pedersen, J., Melbourne, Vic. Churn and butter-worker	24720	21 July ..	64	20 Aug.*
Pennal, T., Christchurch, N.Z. Plough	24876	2 Sept.
Penny, C. W., Te Akatea, N.Z. Dray-loading apparatus	24990	30 Sept. ..	79	15 Oct.*
Perry, A. M., Wellington, N.Z. Mud-guard for cycle	24785	12 Aug. ..	69	3 Sept.*
Phillips, S. J., Hallett, S. Aust. Cutter and cauteriser	23683	7 Nov., 1907	64	20 Aug.
Piercy, E. C., Wanganui, N.Z. Milk heater and cooler	24716	23 July ..	64	20 Aug.*
Pike, C. D., Wellington, N.Z. Flooring-cramp	23325	21 Aug., 1907	64	20 Aug.
Pochin, H. N., and another, Leicester, Eng. (See United Shoe Machinery Company, No. 23715.)				
Pomeroy, J., Invercargill, N.Z. Steam-boiler furnace, &c.	24793	13 Aug. ..	69	3 Sept.*
Poole, A. H., Dunedin, N.Z. Hair-pad	24622	6 July ..	85	29 Oct.*
Poynton, J. J., and another, Middle Park, Vic. Post-hole digger ..	24961	23 Sept. ..	79	15 Oct.*
Preston, J. C., Sydney, N.S.W. Incandescent oil-lamp	24875	2 Sept. ..	79	15 Oct.
Pride, J. P., Leicester, Eng. (See United Shoe Machinery Company, No. 23716.)				
Prior, A., Dunedin, N.Z. Box-manufacture	24845	25 Aug. ..	75	1 Oct.*
Quertier, H., Dunedin, N.Z. Motor bicycle and cleaner	23440	9 Sept., 1907	58	23 July.

ALPHABETICAL LIST OF APPLICANTS FOR LETTERS PATENT—continued.

Name, Address, and Invention.	Application.		Gazette.	
	No.	Date.	No.	Date.
Ralph, L. N., Pongakawa, N.Z. Running out barbed wire ..	23759	25 Nov., 1907	64	20 Aug.
Rann, A. R., and another, Auckland, N.Z. Curtain-suspender ..	24613	4 July ..	64	20 Aug.
Rapley, T. W., Wellington, N.Z. Magnetic separator ..	24883	4 Sept. ..	79	15 Oct.*
Reston, G. P., and another, Wellington, N.Z. Overlay for process-block printing ..	24736	29 July ..	64	20 Aug.*
Richards, G. C., Berkeley, U.S.A. Fume-condenser ..	24447	27 May ..	69	3 Sept.
Richardson, D., and another, Footscray, Vic. Determining moisture in wool, hemp, &c. ..	24841	26 Aug.
Riddell, W. H., Dunedin, N.Z. School-desk ..	24625	6 July ..	61	6 Aug.*
Ritchie, T., and another, Hastings, N.Z. Acetylene generator ..	24677	17 July ..	72	17 Sept.*
Roberts, C., Sawyer's Bay, N.Z. Kerosene-tin tap ..	24962	18 Sept. ..	85	29 Oct.*
Roberts, E., Dunedin, N.Z. Flexible-jointed spoil-pipe ..	24812	17 Aug. ..	72	17 Sept.
Robertson, A. B., and others, New Plymouth, N.Z. Milking-machine ..	24615	4 July
Robertson, A. M., and others, New Plymouth, N.Z. Milking-machine ..	24615	4 July
Robertson, R. W. D., New Plymouth, N.Z. (See G. H. MacEwan, No. 24813.)
Robins, A., Gore, N.Z. Produce-box ..	24950	18 Sept. ..	79	15 Oct.*
Robinson, W. F., Hokitika, N.Z. Time-table poster ..	24856	31 Aug. ..	75	1 Oct.*
Roebuck, W. J., Dunedin, N.Z. Grip-bracket for platforms, &c. ..	24621	3 July ..	61	6 Aug.*
Rogal, C., Christchurch, N.Z. Onion-digger ..	24670	15 July ..	61	6 Aug.*
Rogers, A. W., Melbourne, Vic. Magazine rifle ..	24937	17 Sept. ..	79	15 Oct.*
Rome. (See Von Rome.)
Rosing, F., and another, Mildura, Vic. (See Ambro, Limited, No. 24698.)
Rowe, G. R., and another, Wellington, N.Z. Electro-surgical appliance ..	24895	7 Sept. ..	79	15 Oct.*
Rowley, F., Fernilee, Vic. Tennis, &c., ball ..	24591	12 July, 1907†	64	20 Aug.
Roy. (See Le Roy.)
Royston, E. R., Liverpool, Eng. Salt-melting apparatus ..	24643	11 July ..	64	20 Aug.
Runciman, J., Paemako, N.Z. Pivot harrow ..	24829	20 Aug. ..	72	17 Sept.*
Ruping, M., Charlottenberg, Ger. Impregnating wood ..	23532	30 Sept., 1907	64	20 Aug.
Russell, J., and another, Auckland, N.Z. Revolving sign ..	24834	22 Aug. ..	79	15 Oct.*
Rutty, M., Sydney, N.S.W. Smoking-pipe. (M. Jeantet) ..	24868	1 Sept.
Sandy, W. J. L., London, Eng. Electrolyte for battery ..	24982	25 Sept.
Saunders, G., Pleasant Point, N.Z. Threshing-machine wearing-strip ..	23565	8 Oct., 1907	61	6 Aug.
Scott, G. M., Wellington, N.Z. Illuminated advertising-device ..	24695	20 July ..	64	20 Aug.*
Scott, J. R., Boston, U.S.A. (See United Shoe Machinery Company, No. 23714.)
Scott, W., Dunedin, N.Z. Folding-table ..	24830	21 Aug. ..	72	17 Sept.*
Seed, T., Dunedin, N.Z. Ointment ..	24927	12 Sept. ..	85	29 Oct.*
Seehausen, O. J., Chicago, U.S.A. Hydrocarbon-gas generator ..	24645	11 July ..	85	29 Oct.
Seifert, W., and another, Takapau, N.Z. Flax-machine ..	24734	29 July ..	64	20 Aug.*
Seifert, W., Takapau, N.Z. Clutch-mechanism ..	24742	30 July ..	64	20 Aug.*
Seifert, W., Takapau, N.Z. Flax-catcher, &c. ..	24743	30 July ..	64	20 Aug.*
Sherwood, C. jun., and another, Kardella, Vic. Endless sectional railway ..	23352	22 Aug., 1907	69	3 Sept.
Sherwood, C. sen., and another, Melbourne, Vic. Endless sectional railway ..	23352	22 Aug., 1907	69	3 Sept.
Shone, I., and another, London, Eng. Sewage system ..	23294	14 Aug., 1907	64	20 Aug.
Shore, J. H., Dunedin, N.Z. Nut-lock ..	24650	10 July ..	61	6 Aug.*
Shuman, F., Philadelphia, U.S.A. Solar motor ..	24934	17 Sept.
Sim, W., Underwood, N.Z. Weed-destroyer ..	24684	13 July ..	61	6 Aug.*
Simpson, R. M., Wellington, N.Z. Separating metals ..	24375	11 May ..	72	17 Sept.
Skipage, C. R., Wellington, N.Z. Cow-bail ..	23529	28 Sept., 1907	61	6 Aug.
Sloman, C. J., Christchurch, N.Z. Breeching and kicking strap ..	24799	12 Aug. ..	72	17 Sept.
Smith, C. B., Dunedin, N.Z. Rotary printing-machine for sales-book ..	24913	10 Sept.
Smith, C. B., Dunedin, N.Z. Spring or elastic bookbinding ..	24030	12 Sept. ..	79	15 Oct.
Smith, H. F., and others, Footscray, Vic. Musical instrument ..	24790	13 Sept. ..	69	3 Sept.*
Smith, I. B., Philadelphia, U.S.A. Electric musical instrument ..	24494	2 June ..	69	3 Sept.
Smith, R. J., Masterton, N.Z. Mortise-lock ..	24667	14 July ..	61	6 Aug.*
Smith, T. D., Mapleton, Q. Boarding-clamp ..	24873	2 Sept. ..	75	1 Oct.*
Smith, W. N., Ballarat, Vic. Butter-cutter ..	24598	2 July ..	69	3 Sept.*
Smith, W. R., London, Eng. Colouring paper and linen manufacture ..	24869	1 Sept. ..	75	1 Oct.*
Smith, W. T., Bolton, Eng. (See E. S. Baldwin, No. 24823.)
Smith, W. V., and another, Wellington, N.Z. Food-preserving apparatus ..	24784	12 Aug.
Snodgrass, J., Doornfontein, Trans. Cyanide-manufacture ..	24595	1 July ..	61	6 Aug.*
Spackman, H. S. Engineering Company, Philadelphia, U.S.A. Cement-manufacture. (H. S. Spackman and E. W. Lazell) ..	25005	30 Sept.
Spackman, H. S., and another, Ardmore, U.S.A. (See H. S. Spackman Engineering Company, No. 25005.)
Spear, H., Wellington, N.Z. Spectacles ..	23822	12 Dec., 1907	75	1 Oct.
Stenhouse, W., and another, Wellington, N.Z. Electro-surgical appliance ..	24895	7 Sept. ..	79	15 Oct.*
Stephenson, A. A., Wellington, N.Z. Enriching coal-gas ..	24623	6 July ..	58	23 July.
Stephenson, A. A., Wellington, N.Z. Air-gas generator ..	24907	10 Sept.
Stewart, G. F., Lynn, U.S.A. (See Manufacturers' Machine Company, No. 23424.)
Storey, G., and others, Albert Park, Vic. Fuel-economizer ..	24596	2 July ..	69	3 Sept.
Storey, W. J., and others, Albert Park, Vic. Fuel-economizer ..	24596	2 July ..	69	3 Sept.
Strassmeyer, J., Christchurch, N.Z. School-desk ..	24715	23 July ..	64	20 Aug.
Stuart, J. W., Oreti Plains, N.Z. Tine harrow ..	24651	13 July ..	64	20 Aug.

ALPHABETICAL LIST OF APPLICANTS FOR LETTERS PATENT—continued.

Name, Address, and Invention.	Application.		Gazette.	
	No.	Date.	No.	Date.
Sundercombe, L. R., Perth, W.A. Flash-signal apparatus	24737	30 July ..	64	20 Aug.*
Suttie, C., and another, Waharoa, N.Z. Flax-catcher	23451	7 Sept., 1907	58	23 July.
Suttie, C., and another, Waharoa, N.Z. Flax-cleanser	23452	7 Sept., 1907	61	6 Aug.
Suttie, C., and another, Waharoa, N.Z. Flax-catcher	23453	7 Sept., 1907	61	6 Aug.
Synnerholm, J. W., Matakana, N.Z. Extracting kauri-gum from sand	23479	14 Sept., 1907	61	6 Aug.
Syvret, J., Sydney, N.S.W. Closet, &c.	24903	10 Sept.
Taucher, J. J., Taita, N.Z. Clothes-peg	23735	18 Nov., 1907	58	23 July.
Taylor, D., Dunedin, N.Z. File	24919	9 Sept.
Taylor, J. H. R., and others, Temuka, N.Z. Spouting-bracket	24797	13 Aug. ..	75	1 Oct.
Taylor, J. H. R., and others, Temuka, N.Z. Fire-kindler	24801	14 Aug.
Taylor, J. M., and another, Christchurch, N.Z. Snow-board	24634	8 July ..	61	6 Aug.*
Taylor, J. M., and another, Christchurch, N.Z. Flushing-cistern attachment. (F. Wright)	24727	25 July ..	64	20 Aug.*
Taylor, T., and others, Wellington, N.Z. Delivering liquors, &c., from bottles	24603	2 July ..	61	6 Aug.*
Teese, W. J., Balaclava, Vic. (See W. H. Blackham, Nos. 22700 and 24769.)				
Thomas, G. F., and others, Wellington, N.Z. Fire-grate	24945	19 Sept. ..	79	15 Oct.*
Thomas, O. P., and others, Wellington, N.Z. Fire-grate	24945	19 Sept. ..	79	15 Oct.*
Thorp, F. W., and another, Motueka, N.Z. Propeller	24952	21 Sept.
Tiffen, J., Makikihi, N.Z. Chaff-cutter	24601	2 July ..	64	20 Aug.
Tink, J. H., Mordialloc, Vic. Wire-strainer	24894	5 Sept. ..	79	15 Oct.*
Tomkies, A. G., Westport, N.Z. Metal-shearing tool	24642	7 July ..	61	6 Aug.*
Torr, A. C. V., Ruawai, N.Z. Clothes-peg	24983	29 Sept. ..	79	15 Oct.*
Trevellian, F. H., Wellington, N.Z. Printing and winding machine for paper ribbons	24850	28 Aug. ..	75	1 Oct.*
Trevellian, F. H., Wellington, N.Z. Cash-register	24901	9 Sept. ..	79	15 Oct.
Trotman, E. H., Mylor, S. Australia. Manufacture of fertiliser from waste products	24902	9 Sept.
Turnbull, W., Wellington, N.Z. Closet-flush	24614	4 July ..	64	20 Aug.
Uddstrom, C., Greymouth, N.Z. Centring-device for circular-saw spindle	24747	28 July ..	64	20 Aug.*
United Shoe Machinery Company, Paterson, U.S.A. Sole-levelling machine. (A. Eppler)	23345	22 Aug., 1907	58	23 July.
United Shoe Machinery Company, Paterson, U.S.A. Welt-preparing machine. (A. Eppler)	23346	22 Aug., 1907	58	23 July.
United Shoe Machinery Company, Paterson, U.S.A. Shoe-making apparatus. (A. Bates)	23597	16 Oct., 1907..	69	3 Sept.
United Shoe Machinery Company, Paterson, U.S.A. Burnishing-machine. (W. Jackson and H. N. Pochin)	23715	14 Nov., 1907	69	3 Sept.
United Shoe Machinery Company, Paterson, U.S.A. Abrading-device. (J. R. Scott)	23714	14 Nov., 1907	72	17 Sept.
United Shoe Machinery Company, Paterson, U.S.A. Jack for shoe-machine. (J. P. Pride)	23716	14 Nov., 1907	72	17 Sept.
United Shoe Machinery Company, Paterson, U.S.A. Sewing-machine. (A. Eppler)	24932	17 Sept. ..	79	15 Oct.*
United Shoe Machinery Company, Paterson, U.S.A. Work-support-horn for boot-machine. (A. E. Jerram, J. Gouldburn, and A. Bates)	24933	17 Sept. ..	79	15 Oct.*
United States Automatic Box Machinery Company, Boston, U.S.A. Paper-box machine. (W. C. Baxter)	23492	19 Sept., 1907	54	9 July.
Upchurch, J., Wellington, N.Z. Bench-stop	24807	17 Aug. ..	72	17 Sept.*
Vipond, J. L., and another, Matakana, N.Z. Shirt-collar	24804	15 Aug. ..	69	3 Sept.*
Vivian, A. W. H., and others, London, Eng. Artificial fuel	24648	7 July ..	61	6 Aug.*
Von Rome, F. O., and another, Christchurch, N.Z. Cool-storage safe	24884	3 Sept. ..	79	15 Oct.*
Wakem, A., and others, Papakura, N.Z. Potato grubber and cultivator	24701	18 July ..	64	20 Aug.*
Walden, W. G., and another, Christchurch, N.Z. Underpants	24855	29 Aug. ..	72	17 Sept.
Waldie, D. H., Abbotsford, N.Z. Transferring liquids from one can to another	24948	18 Sept.
Walker, G., Tuakau, N.Z. Fibre drying, loading, &c., mechanism ..	24760	31 July ..	64	20 Aug.*
Walker, R., Dunedin, N.Z. Milk, &c., strainer	24928	12 Sept. ..	79	15 Oct.*
Wall, W. F., Wanganui, N.Z. Vessel-raising apparatus	24689	20 July ..	69	3 Sept.
Wallis, J. T., Sydney, N.S.W. Horse crush or holder	24792	13 Aug. ..	72	17 Sept.
Walton, F., London, Eng. Road-vehicle-suspension attachment ..	24908	9 Sept. ..	85	29 Oct.
Ward, H. A., and another, Lower Hutt, N.Z. Milk, &c., cooler ..	24917	14 Sept.
Watson, G., and another, Foxton, N.Z. Beating-bar for flax-stripping	23564	8 Oct., 1907..	64	20 Aug.
Watson, W., and another, Wanganui, N.Z. Flax-dressing	23043	25 June, 1907	54	9 July.
Watts, J. E., Wellington, N.Z. Boot last and stand	23663	30 Oct., 1907..	69	3 Sept.
Webber, E., Dunedin, N.Z. Hinge	24966	21 Sept.
Westinghouse Metal Filament Lamp Company, Limited, London, Eng. Electric-lamp filament. (A. Lederer)	24864	1 Sept. ..	75	1 Oct.
Westinghouse Metal Filament Lamp Company, Limited, London, Eng. Electric-lamp filament. (A. Lederer)	24865	1 Sept. ..	75	1 Oct.
Westinghouse Metal Filament Lamp Company, Limited, London, Eng. Electric-lamp filament. (A. Lederer)	24905	10 Sept. ..	79	15 Oct.
Whitaker, C. G., Christchurch, N.Z. Egg-carrier	23460	12 Sept., 1907	64	20 Aug.
Whitaker, C. G., and another, Christchurch, N.Z. Egg-carrier ..	24652	13 July ..	85	29 Oct.

ALPHABETICAL LIST OF APPLICANTS FOR LETTERS PATENT—continued.

Name, Address, and Invention.	Application.		Gazette.	
	No.	Date.	No.	Date.
White, T. H., Wellington, N.Z. (See Lamb and Todd, Limited, No. 23041.)				
Whitelaw, J., Wellington, N.Z. Railway-sleeper	24697	20 July ..	61	6 Aug.*
Whiteside, A. J., Whangamarino, N.Z. Flax-dressing apparatus ..	24953	21 Sept ..	79	15 Oct.*
Whitley, V., and another, Christchurch, N.Z. Egg-carrier ..	24652	13 July ..	85	29 Oct.
Whitman, J. A., New York, U.S.A. Clutch. (E. E. Norton) ..	24722	22 July ..	72	17 Sept.
Whitman, J. A., New York, U.S.A. Talking-machine. (E. E. Norton)	24723	22 July ..	72	17 Sept.
Whyte, E. J., Konini, N.Z. Milk-can	24936	17 Sept ..	79	15 Oct.*
Wiggins, W., Christchurch, N.Z. Preventing the formation of scale in boilers	24957	21 Sept
Wizzell, E. E., London, Eng. Postage-stamp-vending machine ..	24660	14 July ..	75	1 Oct.
Wilkinson, G., and another, Auckland, N.Z. Fencing-wire carrier ..	23710	13 Nov., 1907	61	6 Aug.*
Williams, J., Napier, N.Z. Delivering mail-bags, &c., to a moving train	24898	8 Sept.
Williams, R., and another, Matakana, N.Z. Shirt-collar ..	24804	15 Aug. ..	69	3 Sept.*
Williams, R. B., Winton, N.Z. Mop-wringer	24921	14 Sept. ..	79	15 Oct.*
Wilson, H. E., Auckland, N.Z. Trolley-pole retriever	24738	25 July ..	64	20 Aug.*
Wilson, H. E., Auckland, N.Z. Trolley-pole retriever	24878	31 Aug. ..	75	1 Oct.*
Wilson's Portland Cement Company, Limited, Auckland, N.Z. Water-proof Portland cement. (S. B. Newberry)	24780	8 Aug. ..	75	1 Oct.
Winkelmann, N. G. G., Auckland, N.Z. Ash-pan for stove	24709	20 July ..	64	20 Aug.*
Winn, S., Nelson, N.Z. Bed-rest	23952	30 Jan. ..	58	23 July.
Winterburn, H., Greymouth, N.Z. Cooking-oven	25000	29 Sept.
Wood, A. H., Auckland, N.Z. Washing-boiler	23587	10 Oct., 1907	61	6 Aug.
Wood, E. C., Christchurch, N.Z. Race-starting machine	24872	3 Sept. ..	79	15 Oct.
Woolley, A. E., Auckland, N.Z. Dust and draught excluder ..	24960	23 Sept. ..	79	15 Oct.*
Woolston, J. T., Northampton, Eng. (See O. V. Forbes, No. 24661.)				
Worthington, H., Wellington, N.Z. Tram-rail cleaner	24976	28 Sept.
Wright, A. H., Dunedin, N.Z. Advertising-apparatus	24700	18 July ..	61	6 Aug.*
Wright, A. H., Dunedin, N.Z. Indicating-apparatus	24852	26 Aug. ..	75	1 Oct.*
Wright, A. H., Dunedin, N.Z. Game and advertising-apparatus ..	24853	3 Sept. ..	75	1 Oct.*
Wright, A. H., Dunedin, N.Z. Game and advertising-device ..	24925	12 Sept. ..	79	15 Oct.*
Wright, A. H., Dunedin, N.Z. Programme-holder and fan applicable for advertising	24926	12 Sept. ..	85	29 Oct.
Wright, A. H., Dunedin, N.Z. Net attachment to table for catching balls, &c.	24931	14 Sept. ..	79	15 Oct.*
Wright, A. H., Dunedin, N.Z. Clothes-line prop	24963	19 Sept. ..	79	15 Oct.*
Wright, A. H., Dunedin, N.Z. Advertising and displaying	24967	19 Sept.
Wright, A. H., Dunedin, N.Z. Telephone-list and display-sheet ..	25001	28 Sept.
Wright, A. H., and others, Dunedin, N.Z. Lock	24999	29 Sept.
Wright, F., Luton, Eng. Straw-hat manufacture	24668	14 July ..	64	20 Aug.
Wright, F., Christchurch, N.Z. (See J. M. Taylor and H. Oakley, No. 24727.)				
Wright, W. C., Waikino, N.Z. Wire-strainer	24655	11 July
Wright, W. W., and another, Christchurch, N.Z. Underpants ..	24855	29 Aug. ..	72	17 Sept.
Wynd, A., and another, Foxton, N.Z. Flax-stripping beating-bar ..	23564	8 Oct., 1907	64	20 Aug.
Wynyard, M. H., and another, Auckland, N.Z. Flax-catcher ..	23451	7 Sept., 1907	58	23 July.
Wynyard, M. H., and another, Auckland, N.Z. Flax-cleanser ..	23452	7 Sept., 1907	61	6 Aug.
Wynyard, M. H., and another, Auckland, N.Z. Flax-catcher ..	23453	7 Sept., 1907	61	6 Aug.
Yarrow, M., Bolton, Eng. Earthenware-pipe machine	24759	31 July ..	79	15 Oct.
Yourelle, T. I., and another, Wellington, N.Z. Ferro-concrete construction	24849	28 Aug. ..	75	1 Oct.*
Yourelle, T. I., and another, Wellington, N.Z. Ferro-concrete facing and lining plate	24988	29 Sept. ..	85	29 Oct.
Zerbino, P., Buenos Aires, Argentine Republic. Sliding-gate and automatic lock	24767	7 Aug. ..	72	17 Sept.
Zercho, F. W., Melbourne, Vic. Letter-card	24597	2 July
Ziele, C. W., and another, Christchurch, N.Z. Suspender	24968	21 Sept.
Ziele, W. S., and another, Napier, N.Z. Suspender	24968	21 Sept.
Zone Dynamo and Motor Patents Company, Limited, London, Eng. Dynamo electric machine. (J. W. Burleigh)	24867	1 Sept. ..	79	15 Oct.

Alphabetical List of Inventions for Quarter ending 30th September, 1908.

THIS list includes also (1) applications lodged prior to but gazetted during the quarter, (2) complete specifications following provisional specifications accepted or gazetted during the quarter. Where the number and date of the Gazette are omitted, the application has not yet been accepted.

* Denotes a provisional specification.

† Denotes a prior date under section 98 of "The Patents, Designs, and Trade Marks Act, 1908."

Invention.	Name.	Application.		Gazette.	
		No.	Date.	No.	Date.
Acetylene generator	New Zealand Acetylene-gas Light- ing Company, Limited	24744	28 July ..	75	1 Oct.
Acetylene generator	T. Ritchie and C. S. Bone ..	24677	17 July ..	72	17 Sept.*
Advertising. (See Illuminated advertis- ing-device.)					
Advertising and displaying	A. H. Wright	24967	19 Sept.
Advertising-apparatus	A. H. Wright	24700	18 July ..	61	6 Aug.*
Advertising-device. (See Game and ad- vertising-device.)					
Advertising programme and fan	A. H. Wright	24926	12 Sept.
Advertising-game	A. H. Wright	24853	3 Sept. ..	75	1 Oct.*
Aeronautical apparatus	E. L. Burton	24838	25 Aug. ..	75	1 Oct.*
Agitating-apparatus for milk, &c. .. .	G. H. MacEwan	24813	17 Aug.
Agricultural implement	A. C. Anderson	24059	25 Feb. ..	61	6 Aug.
Air-brake-apparatus	V. C. Christie and W. Henderson	24753	30 July ..	69	3 Sept.*
Air-brake coupling	C. A. Jenkins and J. V. Critchfield	24626	6 July ..	61	6 Aug.*
Air-gas generator	A. A. Stephenson	24907	10 Sept. ..	79	15 Oct.*
Air-gas producer	J. Crook	24710	16 July ..	64	20 Aug.
Alarm. (See Fire - alarm, Locomotive- alarm.)					
Alloy. (See Metallic alloy.)					
Alternating-current cut-off	M. G. Newbould	24393	14 May ..	69	3 Sept.
Animal-trap	D. Gibbins	24863	1 Sept. ..	75	1 Oct.*
Anti-rattler for window	W. D. Bondfield	24678	17 July ..	69	3 Sept.
Artificial denture	E. Hope and C. Hill	24671	15 July ..	61	6 Aug.*
Artificial fuel	C. J. Hemery	23552	3 Oct., 1907	61	6 Aug.
Artificial fuel	A. W. H. Vivian, G. L. Davies, and L. Grote	24648	7 July ..	61	6 Aug.*
Artificial minnow	A. Horman	25004	30 Sept. ..	79	15 Oct.*
Ashpan	N. G. G. Winklemann	24709	20 July ..	64	20 Aug.*
Assembling. (See Boot-assembling.)					
Auxiliary propeller	H. H. Adams	24946	17 Sept.
Axle-lubricator	D. Cochrane	24832	24 Aug. ..	79	15 Oct.*
Axle. (See also Road-vehicle axle.)					
Bag. (See Mail-bag.)					
Bail. (See Cow-bail.)					
Bale-hoisting, &c., apparatus	P. R. Hughes	23667	31 Oct., 1907	72	17 Sept.
Bales, introducing certificates, &c., into Ball. (See Tennis-ball.)	J. D. McLaurin	23569	10 Oct., 1907	61	6 Aug.
Ball mill. (See Tube or ball mill.)					
Bar. (See Draw-bar, Fire-bar.)					
Barbed wire, running out. (See Fencing- wire, &c.)					
Batten. (See Fencing-batten.)					
Battery. (See Primary battery, Electro- lyte for battery.)					
Bearing. (See Disc-harrow bearing.)					
Beating-bar. (See Flax-stripper beating- bar.)					
Bed-rest	J. Winn	23952	30 Jan. ..	58	23 July.
Beer-tap	H. F. Cameron	24978	28 Sept. ..	79	15 Oct.*
Bench-stop	J. Upchurch	24807	17 Aug. ..	72	17 Sept.
Bicycle. (See also Cycle, Motor-bicycle.)					
Bicycle-fork	L. G. Grace	24690	20 July ..	64	20 Aug.*
Bicycle-pump holder	H. E. Jones	24612	4 July ..	64	20 Aug.
Bicycle-support	H. A. Logan	24604	3 July
Billiard-table	T. Martyn	24776	10 Aug.
Billiard-table cushion-rail	F. A. Alcock	23413	4 Sept., 1907	58	23 July.
Billiard-table cushion-rail	F. A. Alcock	24847	27 Aug. ..	72	17 Sept.*
Binding. (See Bookbinding.)					
Blind. (See Sun-blind.)					
Block. (See Building - block, Process- block.)					
Board. (See Ironing-board, Snow-board.)					
Boarding-clamp	T. D. Smith	24873	2 Sept. ..	75	1 Oct.*
Bodice-retainer. (See shoulder-strap, &c.)					
Boiler. (See also Steam-boiler, Washing- boiler.)					
Boiler-scale, preventing formation of .. .	W. Wiggins	24957	21 Sept.
Bookbinding spring	C. B. Smith	24930	12 Sept. ..	79	15 Oct.
Book-clip. (See Hat, book, and umbrella clip.)					

ALPHABETICAL LIST OF INVENTIONS—continued.

Invention.	Name.	Application.		Gazette.	
		No.	Date.	No.	Date.
Book-support	G. W. Gough	24771	8 Aug. ..	69	3 Sept.*
Boot	O. V. Forbes	24661	14 July ..	64	20 Aug.
Boot-abrading device	United Shoe Machinery Company	23714	14 Nov., 1907	72	17 Sept.
Boot-assembling machine	Manufacturers' Machine Company	23304	15 Aug., 1907	58	23 July.
Boot-buffing machine	Manufacturers' Machine Company	23159	18 July, 1907	58	23 July.
Boot-buffing machine	Manufacturers' Machine Company	23376	28 Aug., 1907	69	3 Sept.
Boot-burnishing machine	United Shoe Machinery Company	23715	14 Nov., 1907	69	3 Sept.
Boot-fastening or staple, forming and driving	Manufacturers' Machine Company	23158	18 July, 1907	58	23 July.
Boot for painters, &c.	A. E. Harkin	24741	30 July ..	64	20 Aug.*
Boot last or stand	J. E. Watts	23663	30 Oct., 1907	69	3 Sept.
Bootmaker's measure	W. Church	24985	29 Sept. ..	85	29 Oct.
Bootmaking-machine. (See also Channel-flap layer, Sewing-machine.)					
Boot-machine, work-support horn for	United Shoe Machinery Company	24933	17 Sept. ..	79	15 Oct.*
Boot or shoe	H. Bostock	24775	7 Aug. ..	75	1 Oct.*
Boot or shoe	G. W. Hunton	24836	25 Aug. ..	72	17 Sept.
Boot-pad-cover making	Manufacturers' Machine Company	23424	5 Sept., 1907	58	23 July.
Boot-sole-levelling machine	United Shoe Machinery Company	23345	22 Aug., 1907	58	23 July.
Boot-stitch-impression machine	Manufacturers' Machine Company	23160	18 July, 1907	58	23 July.
Boot-treating machine	W. H. Hooper	23055	2 July, 1906†	54	9 July.*
Boot-welt-preparing machine	United Shoe Machinery Company	23346	22 Aug., 1907	58	23 July.
Borer and strainer for fencing	E. P. Crowe	24791	13 Aug. ..	69	3 Sept.*
Bowls. (See Table-bowls.)					
Box. (See Paper box, Clothes-peg box, Metal box, Produce-box.)					
Box or case	R. Hudson and Co., Limited	24929	12 Sept. ..	79	15 Oct.
Box-manufacture	A. Prior	24845	25 Aug. ..	75	1 Oct.*
Braces. (See Razor-strop attachment to.)					
Braces	H. J. Chisnall and J. Jamieson	24688	18 July
Braces	E. Nesbitt	24353	5 May ..	72	17 Sept.
Bracket. (See Grip-bracket, Spouting-bracket.)					
Brake. (See Air-brake.)					
Breeding. (See Cattle-branding.)					
Bread, meat, &c., cutter	F. W. Bliss	24721	24 July
Breeching-attachment	G. L. Colombus	24731	28 July ..	64	20 Aug.*
Breeching and kicking strap	C. J. Sloman	24799	12 Aug. ..	72	17 Sept.
Brooch-pin	R. L. L. Luke	24745	27 July ..	64	20 Aug.*
Brush	H. Akhurst	24949	18 Sept.
Bucket-handle	W. W. Gundrie	24993	30 Sept. ..	85	29 Oct.
Buffer-cylinder	J. A. Lindsay	24828	19 Aug. ..	79	15 Oct.
Buffer for railway-carriage, &c.	R. T. Bickerton	24848	27 Aug. ..	75	1 Oct.*
Buffing-machine. (See Boot-buffing machine.)					
Building. (See Metal covering, Ventilator, Weatherboard.)					
Building-block	E. T. C. Firth	24979	24 Sept.
Burnishing-machine	United Shoe Machinery Company	23715	14 Nov., 1907	69	3 Sept.
Butter-cutter	W. N. Smith	24598	2 July ..	69	3 Sept.*
Butter-cutter	J. Budge and W. Booth	22916	10 May, 1907	64	20 Aug.
Butter-making process	C. A. Macdonald	24706	23 July ..	72	17 Sept.
Butter-worker. (See Churn.)					
California-thistle-extirminating composition	A. MacArthur	24696	20 July
Can. (See Metal can, Milk-can.)					
Can-opening attachment	E. O. Blackwell	24870	1 Sept. ..	75	1 Oct.*
Canvas-riveting. (See Riveting.)					
Car. (See Railway-car, Tram-car.)					
Carburettor	F. J. Cox	23790	4 Dec., 1906†	58	23 July.
Card. (See Letter-card.)					
Carpet-cleaner. (See Cleaner, &c.)					
Carrier. (See Clothes-peg carrier, Egg-carrier, Fencing-wire carrier, Liquid-carrier.)					
Cart. (See Go-cart.)					
Case. (See Box or case.)					
Cash-register	F. H. Trevelian	24901	9 Sept. ..	79	15 Oct.
Cask	W. Houliker	24802	15 Aug. ..	72	17 Sept.
Casting chain-links	C. S. McIntire	24703	21 July ..	69	3 Sept.
Castrating. (See Emasculating.)					
Catcher. (See Flax-catcher, Life-saving catcher.)					
Cattle-branding appliance	W. G. Landells	24283	21 April ..	69	3 Sept.
Cattle, removing turnips from throats of	W. Jellyman	24602	2 July ..	61	6 Aug.
Cauterizing device. (See Cutting and cauterizing device.)					
Cement, and process for making	Wilson's Portland Cement Company, Limited	24780	8 Aug. ..	75	1 Oct.
Cement-burning apparatus, &c.	A. J. Park	24607	1 July ..	75	1 Oct.*
Cement-manufacture	F. M. Allan	24606	1 July ..	58	23 July.*

ALPHABETICAL LIST OF INVENTIONS—continued.

Invention.	Name.	Application.		Gazette.	
		No.	Date.	No.	Date.
Cement-manufacture	H. S. Spackman Engineering Company	25005	30 Sept.
Centring-device for saw-spindle	C. Uddstrom	24747	28 July	64	20 Aug.*
Certificate. (See Wool-bale certificate.)					
Chaff-cutter	J. Tiffin	24601	2 July	64	20 Aug.*
Chaff-cutter feed	J. Hardie	24783	11 Aug.	69	3 Sept.*
Chaff-cutter mouth	W. and F. O. Andrews and A. W. Beaven	24628	7 July	69	3 Sept.
Chain harrow. (See Tine and chain harrow.)					
Chain-link. (See Casting chain-link.)					
Chair. (See Easy chair.)					
Channel-flap layer	Manufacturers' Machine Company	23157	18 July, 1907	58	23 July.
Chart. (See Dresscutting-chart, Skirt-cutting-chart.)					
Churn and butter-worker	J. Pedersen	24720	21 July	64	20 Aug.*
Cinder-sifter	T. Ballinger and Co., Limited ..	24904	10 Sept.
Cinematographic apparatus	Friese-Greene Patents, Limited ..	24922	15 Sept.	85	29 Oct.
Circular-saw spindle. (See Centring-device, &c.)					
Cistern. (See Flushing-cistern.)					
Clamp. (See Boarding-clamp.)					
Cleaner operated by motor-cycle	H. Quertier	23440	9 Sept., 1907	58	23 July.
Cleaner. (See also Tram-rail cleaner, Glass-cleaner.)					
Clinker-manufacture	F. M. Allan	24606	1 July	58	23 July.*
Closet, &c.	J. Syvret	24903	10 Sept.
Closet-flush	W. Turnbull	24614	4 July	64	20 Aug.
Closet-flush	W. Ward and L. J. Tasker	23921	27 July	61	6 Aug.
Clothes-drying apparatus	J. Fenton	24693	20 July	64	20 Aug.
Clothes, &c., washing-machine	W. J. Howeroft	24846	27 Aug.	75	1 Oct.*
Clothes-line prop	A. H. Wright	24963	19 Sept.	79	15 Oct.*
Clothes-peg	J. J. Taucher	23735	18 Nov., 1907	58	23 July.
Clothes-peg	A. C. V. Torr	24983	29 Sept.	79	15 Oct.*
Clothes-peg box or carrier	C. A. Baker	24683	15 July	61	6 Aug.*
Clutch	J. A. Whitman	22722	22 July	72	17 Sept.
Clutch mechanism	W. Seifert	24742	30 July	64	20 Aug.*
Coal-gas, enriching	A. A. Stephenson	24623	6 July	58	23 July.
Coal-gas manufacture	J. Jowett	24631	8 July	64	20 Aug.
Coal-loading appliance	M. J. McGrath	24694	20 July	61	6 Aug.*
Coiling wire. (See Fencing-wire, &c.)					
Coin-freed postage machine	G. D. Murchie and M. Badger	24800	13 Aug.	72	17 Sept.*
Collar. (See Draught collar, Horse-collar, Shirt-collar.)					
Colouring paper and linen manufacture	W. R. Smith	24869	1 Sept.	75	1 Oct.*
Combination tool	G. Cocks	24817	20 Aug.	75	1 Oct.*
Compressor	P. Ellis	24840	26 Aug.	75	1 Oct.*
Concave. (See Threshing-machine.)					
Concrete fencing-post	G. W. Grainger	24665	14 July	64	20 Aug.
Concrete. (See also Ferro-concrete.)					
Condenser. (See Fume-condenser.)					
Condenser or vaporiser	C. J. A. Gottlieb	24592	1 July	64	20 Aug.
Contact system for electric vehicles	C. S. Bayley	24675	13 July
Conveyor. (See Elevator and conveyor.)					
Cooking-oven	H. Winterburn	25000	29 Sept.
Cooler. (See Milk-cooler.)					
Cool-storage safe	F. O. von Rome and G. Hutchinson	24884	1 Sept.	79	15 Oct.*
Correspondence, arranging, &c.	H. E. Lindsay	23996	12 Feb.	58	23 July.*
Cot. (See Hammock and Swing-cot.)					
Coupling. (See Air-brake coupling, Railway-vehicle coupling.)					
Cow-bail	W. Campbell and T. Iwikau	24914	12 Sept.	79	15 Oct.
Cow-bail	C. R. Skipage	23529	28 Sept., 1907	61 64	6 Aug. 20 Aug.*
Cramp. (See Flooring-cramp.)					
Crush. (See Horse-crush.)					
Crushing-machine	G. H. Fraser	23605	17 Oct., 1907	64	20 Aug.
Cuff protector and fastener	E. G. Langton	23528	27 Sept., 1907	69	3 Sept.
Cultivator. (See Disc cultivator, Harrow, Potato.)					
Current-motor	W. Morton	24973	23 Sept.	85	29 Oct.
Curtain-displaying apparatus	Lamb and Todd, Limited	23041	25 June, 1907	75	1 Oct.
Curtain lifter, suspender, &c.	A. R. Rann and H. Collins	24613	4 July	64	20 Aug.
Curtain lifter, suspender, &c.	R. M. Maunder and H. Moffatt ..	24826	22 Aug.	75	1 Oct.*
Cushion-rail for billiard-table	F. A. Alcock	24847	27 Aug.	72	17 Sept.*
Cushion-rail for billiard-table	F. A. Alcock	23413	4 Sept., 1907	58	23 July.
Cut-off. (See Alternating-current cut-off, Gas-supply cut-off.)					
Cutter. (See Bread and meat cutter, Butter-cutter, Chaff-cutter, Metal shearing tool, Scrub-cutter.)					

ALPHABETICAL LIST OF INVENTIONS—continued.

Invention	Name.	Application.		Gazette.	
		No.	Date.	No.	Date.
Cutting and cauterising device ..	S. J. Phillips	23683	7 Nov., 1907	64	20 Aug.*
Cyanide-manufacture ..	J. Snodgrass	24595	1 July ..	61	6 Aug.*
Cycle. (See also Mud-guard, &c., Bicycle.)					
Cycle-lock	J. Grice	24593	1 July ..	58	23 July.*
Cycle-pedal clip	T. Barnard	24664	14 July ..	61	6 Aug.*
Cylinder. (See Buffer-cylinder.)					
Dental inlay casting	V. Macdonald	24692	17 July ..	61	6 Aug.
Denture. (See Artificial denture.)					
Desk. (See School-desk.)					
Detachable tap for kerosene-tins, &c. ..	C. Roberts	24962	18 Sept.
Digger. (See Onion-digger, Post-hole digger.)					
Digger plough	F. O. Linstrom	24874	2 Sept. ..	79	15 Oct.*
Dipping. (See Sheep-dipping.)					
Disc cultivator	D. Hogg	23213	26 July, 1907	61	6 Aug.
Disc-harrow bearing	P. and D. Duncan, Limited ..	24674	15 July ..	61	6 Aug.*
Disc talking-machine	L. W. D. Andrews	24705	21 July ..	64	20 Aug.*
Dish-washer, &c.	J. P. Dyason and B. Gerlach ..	24707	23 July ..	64	20 Aug.*
Disinfector	T. Bolton	23705	16 Jan. ..	54	9 July.
Disinfector	G. Harker	24959	23 Sept.
Disintegrator. (See Ore-disintegrator.)					
Display-sheet and telephone-list	A. H. Wright	25001	28 Sept.
Displaying. (See Advertising and displaying, Curtain-displaying apparatus.)					
Distance-calculating instrument	E. J. Butterworth	24803	15 Aug. ..	69	3 Sept.*
Document-file, &c.	E. L. Barton	24666	14 July ..	61	6 Aug.
Door. (See Railway-carriage door actuator.)					
Door holder or stop	G. Lamb	24806	17 Aug. ..	69	3 Sept.*
Door opening and closing mechanism ..	R. F. Carey	23917	16 Jan. ..	54	9 July.
Drainage. (See Lagoon-drainage.)					
Draught collar for horse, &c.	J. G. Le Couteur	24740	30 July
Draught-equaliser and swingletree ..	H. Childs	24681	15 July ..	69	3 Sept.
Draught-excluder. (See Dust, draught, and rain excluder.)					
Draw-bar	F. S. Barnes	24673	13 July ..	64	20 Aug.*
Dray-loading apparatus	C. W. Penny	24990	30 Sept.
Dress-cutting chart	G. R. Andrew	24795	13 Aug. ..	72	17 Sept.
Drill. (See also Grain-drill.)					
Drill-holder	J. Gibbon	24725	25 July ..	64	20 Aug.*
Drying. (See Clothes-drying.)					
Dust, draught, and rain excluder	A. E. Woolley	24960	23 Sept. ..	79	15 Oct.*
Dynamo electric machine	Zone Dynamal and Motor Patents Company, Limited	24867	1 Sept. ..	79	15 Oct.
Earthenware-pipe machine	M. Yarrow	24759	31 July ..	79	15 Oct.
Easy chair	T. Barton	24915	12 Sept. ..	79	15 Oct.*
Egg-carrier	G. Forsyth	24748	30 July ..	64	20 Aug.*
Egg-carrier	J. E. Heys	24851	28 Aug. ..	72	17 Sept.
Egg-carrier	C. G. Whitaker	23460	12 Sept., 1907	64	20 Aug.
Egg-carrier	C. G. Whitaker and V. Whitley ..	24652	13 July ..	85	29 Oct.
Electric-conductor conduit	J. Christie	24679	14 July ..	69	3 Sept.
Electric contact. (See Contact system, &c.)					
Electric-lamp filaments	Westinghouse Metal Filament Lamp Company, Limited	24864	1 Sept. ..	75	1 Oct.
Electric-lamp filaments	Westinghouse Metal Filament Lamp Company, Limited	24865	1 Sept. ..	75	1 Oct.
Electric-lamp filaments	Westinghouse Metal Filament Lamp Company, Limited	24905	10 Sept. ..	79	15 Oct.
Electric-lamp holder	W. E. Garey	24992	30 Sept.
Electrical resistance-device	H. S. Martin	24789	12 Aug. ..	69	3 Sept.*
Electrolyte for battery	W. J. L. Sandy	24982	25 Sept.
Electro-surgical appliance	G. R. Rowe and W. Stenhouse ..	24895	7 Sept. ..	79	15 Oct.*
Elevator and conveyor	J. Arthur, jun.	24719	21 July ..	64	20 Aug.*
Emasculator for animals	H. Nathan	24768	7 Aug. ..	69	3 Sept.*
Endless sectional railway	C. and C. Sherwood	23352	22 Aug., 1907	69	3 Sept.
Evaporator. (See Condenser.)					
Excavator	J. W. Harris	24755	3 Aug.
Exhaust, utilising for heating, &c. ..	P. A. and C. W. Le Marquand ..	24860	31 Aug. ..	79	15 Oct.*
Extinguisher. (See Lamp-extinguisher, Spark-extinguisher.)					
Fan. (See Programme-holder and fan.)					
Fastener. (See Boot-fastener, Hat-fastener, Metallic fastener.)					
Fencing-batten	A. I. Carr	24862	28 Aug.
Fencing-dropper	A. Campbell	24724	22 July
Fencing-link	E. Hayes	23727	16 Nov., 1907	69	3 Sept.
Fencing-post. (See Concrete fencing-post.)					
Fencing-standard	H. Guscott	24699	18 July ..	69	3 Sept.*
Fencing-wire carrier	J. Ferguson and G. Wilkinson ..	23710	13 Nov., 1907	61	6 Aug.*

ALPHABETICAL LIST OF INVENTIONS—continued.

Invention.	Name.	Application.		Gazette.	
		No.	Date.	No.	Date.
Fencing-wire, coiling and uncoiling ..	A. V. Coldwell	24751	31 July ..	72	17 Sept.
Fencing-wire, running out ..	L. N. Ralph	23759	25 Nov., 1907	64	20 Aug.
Fencing-wire strainer. (See Wire-strainer.)					
Ferro-concrete construction ..	T. I. Yourelle and J. Bellingham	24849	28 Aug. ..	75	1 Oct.*
Ferro-concrete facing and lining plate ..	T. I. Yourelle and J. Bellingham	24988	29 Sept. ..	85	29 Oct.
Ferro-concrete-moulding machine ..	J. McLellan	24685	18 July ..	75	1 Oct.
Fertiliser-manufacture ..	E. H. Trotman	24902	9 Sept.
Fibre drying, loading, &c., mechanism ..	G. Walker	24760	31 July ..	64	20 Aug.*
Fibre-manufacture ..	S. Graham	24691	17 July ..	61	6 Aug.*
Filaments. (See Electric-lamp filaments.)					
File. (See also Document-file.)					
File ..	D. Taylor	24910	9 Sept. ..	79	15 Oct.*
Fire-alarm ..	F. Castle	24624	6 July ..	58	23 July.*
Fire-alarm ..	E. Moss	24676	16 July ..	61	6 Aug.*
Fire-alarm ..	E. Moss	24984	28 Sept. ..	79	15 Oct.*
Fire-bar, water-filled ..	C. N. Chandler and G. Dow	24599	2 July
Fire-extinguisher. (See Wool, &c., bale.)					
Fire-grate ..	E. J. Butterworth	24729	23 July ..	64	20 Aug.*
Fire-grate ..	W. N. Eady	24617	3 July ..	61	6 Aug.
Fire-grate ..	O. P. Thomas, G. J. Bertinshaw, and G. F. Thomas	24945	19 Sept. ..	79	15 Oct.*
Fire-kindler ..	C. S. Elmsly, J. H. R. Taylor, and P. Bates	24801	14 Aug.
Fireplace-rack ..	J. F. Lopdell	24893	4 Sept. ..	79	15 Oct.*
Fireproof-wire cloth ..	J. W. Faulkner	24347	13 July ..	69	3 Sept.
Fish hook and bait ..	W. Katene	24653	13 July ..	61	6 Aug.*
Flash-signal apparatus ..	L. R. Sundercombe	24737	30 July ..	64	20 Aug.*
Flax-catcher ..	R. McGaffin	24943	17 Sept. ..	79	15 Oct.*
Flax-catcher and feeder ..	W. Seifert	24743	30 July ..	64	20 Aug.*
Flax-catcher, operating ..	C. Suttie and M. H. Wynyard	23453	7 Sept., 1907	61	6 Aug.
Flax-catching apparatus ..	C. Suttie and M. H. Wynyard	23451	7 Sept., 1907	58	23 July.
Flax, &c., cleansing ..	C. Suttie and M. H. Wynyard	23452	7 Sept., 1907	61	6 Aug.
Flax-dressing apparatus ..	W. Watson and W. Craig	23043	25 June, 1907	54	9 July.
Flax-dressing apparatus ..	A. J. Whiteside	24953	21 Sept. ..	79	15 Oct.*
Flax-dressing process and apparatus ..	G. Crow	24810	19 Aug. ..	75	1 Oct.*
Flax-machine ..	J. M. Collins and J. Low	24859	31 Aug. ..	75	1 Oct.*
Flax-machine ..	W. Seifert and W. Campbell	24734	29 July ..	64	20 Aug.*
Flax-stripper beating-bar ..	G. Watson and A. Wynd	23564	8 Oct., 1907	64	20 Aug.
Flax-treatment ..	H. A. Nicholson	23312	16 Aug., 1907	64	20 Aug.
Flax-treating apparatus ..	G. Crow	24924	16 Sept. ..	79	15 Oct.*
Flax-treating apparatus ..	S. Carr	24972	25 Sept. ..	79	15 Oct.*
Flax washer and scraper ..	F. W. May	24971	24 Sept. ..	79	15 Oct.*
Flax-washer ..	T. Hallett	24756	4 Aug. ..	64	20 Aug.*
Flax-washing machine ..	J. Currie	24969	24 Sept.
Flexible fireproof-wire cloth ..	J. W. Faulkner	24347	13 July ..	69	3 Sept.
Flexible-jointed spoil-pipe ..	E. Roberts	24812	17 Aug. ..	72	17 Sept.
Floating stranded vessels ..	W. F. Wall	24689	20 July ..	69	3 Sept.
Flooring-composition ..	I. R. Jensen and T. Jeffrey	23935	27 Jan. ..	61	6 Aug.
Flooring-crimp ..	C. D. Pike	23325	21 Aug., 1907	64	20 Aug.
Flooring and match-board joint ..	T. Martyn	24682	18 July
Fluid-pressure motor. (See Motor.)					
Flush. (See also Water-closet flush.)					
Flushing-cistern attachment ..	J. M. Taylor and H. Oakley	24727	25 July ..	64	20 Aug.*
Flushing-cistern ..	W. Ward and A. L. J. Tasker	23921	27 July ..	61	6 Aug.
Flying-machine. (See Aeronautical apparatus.)					
Folding-table ..	W. Scott	24830	21 Aug. ..	72	17 Sept.*
Food-composition ..	Ambro, Limited	24698	21 July ..	69	3 Sept.
Food for pigs, poultry, &c. ..	C. D. Lightband	24980	28 Sept.
Food-preserving apparatus ..	S. E. Mason and W. V. Smith	24784	12 Aug.
Food, preparing milk for ..	C. H. E. Hope-Johnstone	23412	1 Sept., 1907	64	20 Aug.
Fountain. (See Ornamental fountain.)					
Friction hoist ..	H. Beaney	24805	12 Aug. ..	72	17 Sept.
Fuel. (See Artificial fuel.)					
Fuel-economizer ..	W. J. Storey, G. Storey, G. McGregor and W. G. Higgs	24596	2 July ..	69	3 Sept.
Fume-condenser ..	G. C. Richards	24447	27 May ..	69	3 Sept.
Fumigator ..	F. S. Greer	24712	9 April† ..	79	15 Oct.
Fumigator ..	C. McIntyre	24750	31 July ..	64	20 Aug.*
Fumigator, &c. ..	G. Harker	24959	23 Sept. ..	85	29 Oct.
Furnace. (See Steam-boiler furnace.)					
Game, &c. ..	F. Dando	24713	23 July ..	64	20 Aug.*
Game and advertising-device ..	A. H. Wright	24853	26 Aug. ..	75	1 Oct.*
Game and advertising-device ..	A. H. Wright	24925	12 Sept. ..	79	15 Oct.*
Game or toy ..	W. H. Cornford	23589	12 Oct., 1907	69	3 Sept.
Gardening-trowel ..	F. Castle	24920	14 Sept.
Gas. (See Air-gas, Coal-gas, Hydrocarbon-gas, Visible gas.)					
Gas-cut-off valve ..	A. J. Hall	24726	25 July ..	61	6 Aug.*
Gas-producer ..	J. A. Paterson	24772	8 Aug. ..	69	3 Sept.*

ALPHABETICAL LIST OF INVENTIONS—continued.

Invention.	Name.	Application.		Gazette.	
		No.	Date.	No.	Date.
Gas producer and grate	G. R. Fellows	24749	28 July ..	64	20 Aug.*
Gate. (See Sliding-gate, &c.)					
Gate	J. Moffat	24842	26 Aug. ..	75	1 Oct.
Gate	F. S. Barnes	24672	13 July ..	64	20 Aug.*
Gate, &c., post	T. French	24956	18 Sept. ..	79	15 Oct.*
Gate-fastening	J. Grant	24746	28 July ..	64	20 Aug.*
Gear. (See Speed-gear.)					
Generator. (See Acetylene generator, Air-gas generator, Hydrocarbon-gene- rator.)					
Girth-gall preventative	A. J. Hoban	23327	21 Aug., 1907	64	20 Aug.
Glass-bevelling machine	F. Cotterell	24880	3 Sept. ..	79	15 Oct.
Glass cleaner, drinking- Glaze. (See Linoleum-glaze.)	P. Van L. Alkemade	24820	20 Aug. ..	75	1 Oct.*
Go-cart	F. McLaughlin	24935	17 Sept. ..	79	15 Oct.*
Gold-saving apparatus	T. M. Breck	2471E	20 July ..	72	17 Sept.
Grain-drill	F. Cooper	24938	16 Sept.
Gramophone. (See Disc talking-machine, Talking-machine.)					
Grate. (See Fire-grate, Gas producer and grate.)					
Grate	W. N. Eady	24617	3 July ..	61	6 Aug.*
Griller. (See Toaster and griller.)					
Grinding-machine	A. J. Ericsson	24022	19 Feb. ..	69	3 Sept.
Grip-bracket for platform	W. J. Roebuck	24621	3 July ..	61	6 Aug.*
Grooving-device. (See Rabbeting, &c., device.)					
Grubber. (See Potato-grubber.)					
Hair-pad	A. H. Poole	24622	6 July ..	85	29 Oct.*
Hammer and spanner	W. J. O'Connor	23421	27 Aug., 1907	64	20 Aug.
Hammock and swing-cot	E. Le Roy	24879	31 Aug. ..	75	1 Oct.*
Handle. (See Bucket-handle, Tool- handle.)					
Harrow. (See Disc harrow, Pivot harrow, Rotary harrow, Tine harrow.)					
Harvester, thresher, &c., for peas	E. O. Blackwell	24965	22 Sept. ..	79	15 Oct.*
Hat. (See Straw hat.)					
Hat, hook, and umbrella clip	J. C. Atkinson	23497	18 Sept., 1907	72	17 Sept.
Hat-fastening	J. Morris and S. A. B. Marks	24798	13 Aug.
Hat-pin	G. L. Mahon	24808	18 Aug.
Heating liquids, utilising engine-exhaust for	P. A. and C. W. Le Marquand	24860	31 Aug. ..	79	15 Oct.*
Hinge	E. Webber	24966	21 Sept.
Hoe	T. R. Bond	24888	4 Sept.
Hoist. (See Bale-hoisting, &c., apparatus, Friction hoist.)					
Holder. (See Bicycle-pump holder, Door- holder, Drill-holder, Electric-lamp holder, Horse-holder, Telephone-list holder.)					
Hook. (See Fish-hook.)					
Hook and eye, attaching	B. R. Bodger	24632	8 July
Hop picker and separator	E. Clemens Horst Company	24012	19 Feb. ..	54	9 July.
Hop-stringer	C. V. Nordberg	24825	18 Aug.
Horse-collar	W. and J. E. Hardwick	24589	1 July ..	64	20 Aug.
Horse-controller	T. Firth	24794	13 Aug.
Horse crush or holder	J. T. Wallis	24792	13 Aug. ..	72	17 Sept.
Horses, administering pills to	M. Guinan	24754	31 July ..	72	17 Sept.
Hot-air indicator	A. Allan and T. Bowling	24654	14 July ..	58	23 Sept.*
Hot-water attachment to engine	W. H. Blackham	24769	7 Aug. ..	69	3 Sept.*
Hot-water attachment. (See also Ex- haust, utilising.)					
Hydraulic nozzle	A. Campbell	24947	19 Sept. ..	79	15 Oct.*
Hydrocarbon-gas generator	J. A. Paterson	24772	8 Aug. ..	69	3 Sept.*
Hydrocarbon-gas generator	O. J. Seehausen	24645	11 July ..	85	29 Oct.,
Illuminated advertising-device	G. M. Scott	24695	20 July ..	64	20 Aug.*
Impregnating wood and other porous materials	M. Ruping	23532	30 Sept., 1907	64	20 Aug.
Incandescent filaments. (See Electric- lamp filaments.)					
Incandescent oil-lamp	J. C. Preston	24875	2 Sept. ..	79	15 Oct.
Incandescent vapour-lamp	W. Hartley	24662	14 July ..	69	3 Sept.
Indicating-apparatus	A. H. Wright	24852	26 Aug. ..	75	1 Oct.*
Indicator. (See Distance-indicator, Hot air, &c., Ship's-course indicator, Mois- ture-indicator.)					
Insect-destroyer	T. Bolton	23705	16 Jan. ..	54	9 July.
Instrument. (See Distance-calculating instrument.)					
Insulated-cabinet oven	C. F. F. Allan	24877	2 Sept.

ALPHABETICAL LIST OF INVENTIONS—continued.

Invention.	Name.	Application.		Gazette.	
		No.	Date.	No.	Date.
Iron-preserving compound	C. F. Lungley	24714	23 July ..	69	3 Sept.*
Ironing-board	C. Anketell	24757	4 Aug. ..	64	20 Aug.*
Jack. (See Lifting-jack, Shoe-machine jack.)					
Joint. (See Rail-joint.)					
Kauri-gum from sand extraction	J. W. Synnerholm	23479	14 Sept., 1907	61	6 Aug.
Kerosene-tin, detachable tap for	C. Roberts	24962	18 Sept. ..	85	29 Oct.*
Keyboard, musical instrument	R. Johnstone, N. Davis, and H. F. Smith	24790	13 Aug. ..	69	3 Sept.*
Kicking-strap. (See Breeching, &c.)					
Kiln. (See Rotary cement-kiln.)					
Knee-pad for scrubbing	M. E. Buick	24640	9 July ..	64	20 Aug.
Knife	R. L. S. Kaleski	24637	12 Aug., 1907†
Label making and printing machine	A. Parker and A. G. Hume	24989	30 Sept. ..	79	15 Oct.*
Ladder	G. W. Thompson	24477	30 May ..	64	20 Aug.*
Lagoon-drainage system	J. A. Pannett	24958	22 Sept. ..	85	29 Oct.
Lamp. (See Electric lamp, Incandescent lamp.)					
Lamp-extinguisher	F. Hursthouse	24765	6 Aug. ..	72	17 Sept.
Last. (See Boot-last.)					
Lawn-trimmer	J. E. Main	24954	21 Sept. ..	85	29 Oct.
Leather-riveting. (See Riveting.)					
Letter-card	F. W. Zercho	24597	2 July
Letter-posting machine	G. D. Murchie and M. Badger	24800	13 Aug. ..	72	17 Sept.*
Letters, arranging, in alphabetical order	H. E. Lindsay	23996	12 Feb. ..	58	23 July.*
Life-guard. (See Safety life-guard.)					
Life-saving catcher for tramcar	T. W. Mayson and J. Edgar	24779	7 Aug. ..	69	3 Sept.*
Lifting-jack	W. McEachern	24835	25 Aug. ..	75	1 Oct.*
Link. (See Fencing-link.)					
Linoleum-glaze	A. Gunn	24630	7 July
Liquid-receptacle or carrier	W. F. Leitz	24782	11 Aug. ..	69	3 Sept.*
Liquid-ripeners	A. Jensen	24644	11 July ..	64	20 Aug.
Liquids, transferring, from one can to another	D. H. Waldie	24948	18 Sept.
Liquor-delivery from bottles	J. D. Kelly, W. Andrews, and T. Taylor	24603	2 July ..	61	6 Aug.*
Loading coal, &c. (See Coal-loading appliance.)					
Loading-apparatus for drays	C. W. Penny	24990	30 Sept. ..	79	15 Oct.*
Lock	A. H. Wright, W. Morton, and J. Hercus	24999	29 Sept.
Lock. (See also Cycle-lock, Mortise-lock, Nut-lock, Window-lock.)					
Locking-device. (See Sliding-gate and locking-device.)					
Locomotive alarm	T. S. and G. Gurr	24647	7 July
Lorry. (See Tipping-lorry.)					
Lubricator. (See Axle-lubricator.)					
Magazine rifle	A. W. Rogers	24937	17 Sept. ..	79	15 Oct.*
Magnetic separator	T. W. Rapley	24883	4 Sept. ..	79	15 Oct.*
Mail-bag to moving train, delivering	J. Williams	24898	8 Sept. ..	79	15 Oct.*
Manifolding-book	J. E. Norman	24787	12 Aug.
Manual propeller and steerer	W. Cutler	24056	26 Feb. ..	64	20 Aug.
Manure. (See Fertiliser-manufacture.)					
Match-board joint. (See Flooring and match-board joint.)					
Match-manufacture	J. E. and G. W. Glenister	24633	8 July ..	61	6 Aug.
Measure. (See Bootmakers' measure.)					
Measuring feet, lasts, &c.	W. Church	24986	29 Sept. ..	85	29 Oct.
Medicine. (See Horses, administering pills to.)					
Metal can or box manufacture	E. C. and E. E. Barlow	24763	6 Aug.
Metal covering for building	H. B. France	23061	28 June, 1907	58	23 July.
Metal-separating apparatus	R. M. Simpson	24375	11 May ..	72	17 Sept.
Metal-shearing tool	A. G. Tomkies	24642	7 July ..	61	6 Aug.*
Metallic alloy	G. Armstrong	24811	19 Aug. ..	72	17 Sept.*
Metallic fastener or staple driving	Manufacturers' Machine Company	23158	18 July, 1907	58	23 July.
Milk-can	R. Bellenger	24816	20 Aug. ..	69	3 Sept.*
Milk-can	E. J. Whyte	24936	17 Sept. ..	79	15 Oct.*
Milk-cooler	C. Kendrick	24912	8 Sept.
Milk, &c., cooler	G. H. Jenkinson and H. A. Ward	24917	14 Sept.
Milk food	C. H. E. Hope-Johnstone	23412	1 Sept., 1907	64	20 Aug.
Milk heater and cooler	E. C. Piercy	24716	23 July ..	64	20 Aug.*
Milk, &c., agitating apparatus	G. H. MacEwan	24813	17 Aug. ..	85	29 Oct.*
Milking-apparatus	W. H. Blackham	24796	13 Aug. ..	72	17 Sept.
Milking-machine	A. Bunting	25003	30 Sept. ..	79	15 Oct.*
Milking-machine. (See Teat-cup, Vacuum milking-machine.)					

ALPHABETICAL LIST OF INVENTIONS—continued.

Invention.	Name.	Application.		Gazette.	
		No.	Date.	No.	Date.
Milking-machine	A. B. Robertson, A. M. Robertson, J. Hurle. J. Bowman	24615	4 July
Milking-machine	C. E. Gane	24886	4 Sept. ..	75	1 Oct.*
Milk-strainer	R. Walker	24928	12 Sept. ..	79	15 Oct.*
Minnow. (See Artificial minnow.)					
Mitre-cutter	R. Dunne	23680	2 Nov., 1907	75	1 Oct.
Moisture, determining quantity in wool, &c.	D. Richardson and R. Gillespie ..	24841	26 Aug.
Mop-wringer	R. B. Williams	24921	14 Sept. ..	79	15 Oct.*
Mortise-lock	R. J. Smith	24667	14 July ..	61	6 Aug.*
Mortise-machine	E. J. and H. V. Gazzard	24814	17 Aug. ..	69	3 Sept.*
Motor. (See Current motor, Solar motor.)					
Motor	G. F. Hutchinson	24730	27 July ..	61	6 Aug.*
Motor	G. W. Mascard	24659	14 July
Motor	K. B. Kristensen	24766	6 Aug. ..	69	3 Sept.*
Motor bicycle and cleaner. (See Cleaner, &c.)					
Motor-car wheel	E. S. Baldwin	24823	20 Aug. ..	75	1 Oct.
Motor-car, &c., wheel	A. Cometti and A. J. McCarthy	24970	24 Sept. ..	79	15 Oct.*
Mould. (See Pudding-mould.)					
Moulding-machine. (See Ferro-concrete-moulding machine.)					
Mowing-machine	W. J. McElroy	24629	7 July ..	61	6 Aug.*
Mowing-machine tedder	H. N. Bingham	24739	30 July ..	72	17 Sept.
Mud-guard, cycle	R. M. Perry	24785	12 Aug. ..	69	3 Sept.*
Music-leaf turner	W. R. Lyttelton	24897	8 Sept. ..	79	15 Oct.*
Musical instrument	R. Johnstone, N. Davis, and H. F. Smith	24790	13 Aug. ..	69	3 Sept.*
Musical instrument. (See also Self-playing musical instrument.)					
Nail	J. McLaren	24590	1 July ..	64	20 Aug.
Net attachment for catching balls, &c. .	A. H. Wright	24931	14 Sept. ..	79	15 Oct.*
Nickel from silicious ores, recovering ..	A. Chalas	24944	19 Sept.
Nozzle. (See Hydraulic nozzle.)					
Nut-lock	J. H. Shore	24650	10 July ..	61	6 Aug.*
Oil-extractor. (See Wax and oil extractor.)					
Ointment	T. Seed	24927	12 Sept. ..	85	29 Oct.*
Onion-digger	C. Rogal	24670	15 July ..	61	6 Aug.*
Ore-disintegrator	H. W. Hardinge	24866	1 Sept. ..	79	15 Oct.
Ore-separation	A. J. Arbuckle and A. Osborne ..	24900	9 Sept. ..	79	15 Oct.
Ore-treatment	F. C. Brown	24861	28 Aug. ..	75	1 Oct.*
Ores. (See also Nickel.)					
Ornamental fountain	H. Dryland and P. J. McDermott	24641	8 July ..	61	6 Aug.*
Oven. (See Cooking-oven, Insulated-cabinet oven.)					
Overlay. (See Block-printing.)					
Pack. (See Wool-pack.)					
Pad. (See Hair-pad, Knee-pad.)					
Painter's boot. (See Boot, &c.)					
Pan. (See Ash-pan.)					
Pants. (See Underpants.)					
Paper-box machine	United States Automatic Box Machinery Company	23492	19 Sept., 1907	54	9 July.
Paper receptacle for liquids	W. F. Lietz and D. O'Connor ..	24687	18 July ..	61	6 Aug.*
Paper ribbons. (See Printing, &c., paper ribbons.)					
Paper-treatment	H. C. Mitchell	24923	3 July, 1906†	75	1 Oct.
Peg. (See Clothes-peg.)					
Phonograph. (See Disc talking-machine, Talking-machine.)					
Piano	C. v. Heiden	24977	28 Sept. ..	85	29 Oct.
Pig-food. (See Food for pigs.)					
Pile-driving apparatus	D. and J. Gilberd	24844	22 Aug. ..	75	1 Oct.*
Pills. (See Horses, administering pills to.)					
Pin. (See Brooch-pin, Hat-pin.)					
Pipe. (See Earthenware pipe, Flexible-jointed spoil-pipe, Pipe-joint, Smoking-pipe.)					
Pipe-joint	G. Inglis	23588	12 Oct., 1907	61	6 Aug.
Pivot harrow	J. Runciman	24829	20 Aug. ..	72	17 Sept.*
Plaster	S. H. Avery	24939	18 Sept.
Platform-bracket	W. J. Roebuck	24621	3 July ..	61	6 Aug.
Platform-support	G. E. Humphries	24887	4 Sept. ..	79	15 Oct.*
Plough. (See Digger-plough.)					
Plough	N. M. McCorkindale	24618	3 July ..	75	1 Oct.*
Plough	T. Pennal	24876	2 Sept.
Plough-attachment for feeding potatoes	T. R. Hogg	22834	16 May, 1907	61	6 Aug.
Plough-skeith and scrub-tucker	R. Andrews	24728	23 July ..	72	17 Sept.
Pneumatic-wheel tube	J. E. Hodson	24620	2 July

ALPHABETICAL LIST OF INVENTIONS—continued.

Invention.	Name.	Application.		Gazette.	
		No.	Date.	No.	Date.
Pontoon	W. Carr	24911	9 Sept.
Portland cement. (See Cement.)					
Post. (See Concrete fencing-post, Gate-post.)					
Post-hole digger]	A. Ferris and J. J. Poynton ..	24961	23 Sept. ..	79	15 Oct.*
Postage-machine. (See Coin-freed postage machine.)					
Postage-stamp-vending machine ..	E. E. Wigzell.]	24660	14 July ..	75	1 Oct.
Poster. (See Time-table poster.)					
Potato-feed. (See Plough-attachment.)					
Potato grubber and cultivator] ..	E. Hill, A. Wakem, and E. Papworth	24701	18 July ..	64	20 Aug.*
Poultry, &c., food. (See food.)					
Preserving. (See Food-preserving, Rabbit-preserving.)					
Preserving-composition for iron, steel, &c.	C. F. Lungley	24714	23 July ..	69	3 Sept.*
Preserving and storing comestibles ..	C. W. Nance	24704	21 July ..	64	20 Aug.*
Primary battery	W. A. F. Bleeck	23991	11 Feb. ..	54	9 July.
Printing. (See Process-block printing, Rotary printing.)					
Printing and winding paper ribbons ..	F. H. Trevellian	24850	28 Aug. ..	75	1 Oct.*
Process-block printing	G. R. Reston and J. F. Molloy ..	24736	29 July ..	64	20 Aug.*
Produce-box	A. Robins	24950	18 Sept. ..	79	15 Oct.*
Programme-holder and fan, advertising ..	A. H. Wright	24926	12 Sept. ..	85	29 Oct.*
Prop. (See Clothes-line prop.)					
Propeller	F. Clennell and F. W. Thorp ..	24952	21 Sept.
Propeller. (See also Auxiliary propeller, Manual propeller.)					
Pudding-mould	A. Lyell	24918	14 Sept. ..	79	15 Oct.*
Pump. (See also Rotary pump.)					
Pump	H. Morgan	24609	29 June
Pump attachment for cistern	J. M. Taylor and H. Oakley ..	24727	25 July ..	64	20 Aug.*
Pump-holder. (See Bicycle-pump holder.)					
Quartz-grinding apparatus	D. Cousins	24896	5 Sept. ..	79	15 Oct.*
Rabbeting and grooving attachment to saw	A. M. Bartley	24758	31 July ..	69	3 Sept.*
Rabbit-preserving process	W. M. Keen and J. Moore ..	24656	11 July ..	61	6 Aug.*
Rabbit-trapping device	D. Gibbins	24863	1 Sept. ..	75	1 Oct.*
Race-starting machine	E. C. Wood	24872	3 Sept. ..	79	15 Oct.
Rack. (See Fireplace-rack.)					
Rail-joint	C. Hewson	24824	20 Aug. ..	72	17 Sept.
Rail-joint	G. I. Lowe	24761	31 July
Rail-joint	E. W. Gowdy	24940	18 Sept. ..	85	29 Oct.*
Railway. (See Endless sectional railway.)					
Railway-buffer. (See Buffer, &c.)					
Railway-carriage-door actuator	J. F. Macallister	24854	29 Aug. ..	85	29 Oct.*
Railway-signal apparatus	J. G. Hudson and J. W. Mardon	24686	18 July ..	61	6 Aug.*
Railway signal, &c.	C. J. Coleman	24786	12 Aug. ..	75	1 Oct.
Railway-sleeper	J. Whitelaw	24697	20 July ..	61	6 Aug.*
Railway snow-scoop	L. Hayes	24831	20 Aug. ..	72	17 Sept.*
Railway-vehicle coupling	E. W. Gowdy	24717	23 July ..	64	20 Aug.*
Railway-vehicle coupling	A. Lyell	24822	20 Aug. ..	75	1 Oct.*
Rain-excluder. (See Dust, draught, and rain excluder.)					
Razor-strop attachment to braces	H. A. Cornes	23633	23 Oct., 1907	69	3 Sept.
Receptacle	W. F. Lietz and D. O'Connor ..	24687	18 July ..	61	6 Aug.*
Receptacle. (See Paper-receptacle, Liquid-receptacle.)					
Record. (See Sound-record.)					
Register. (See Cash-register.)					
Reversible window-sash	T. Martyn	24605	3 July ..	69	3 Sept.
Revolving sign	J. Russell and W. W. Jones ..	24834	22 Aug. ..	79	15 Oct.*
Revolving-table	A. E. Harkin	24942	18 Sept.
Rifle support and teaching device	G. E. Forward and W. J. Bird ..	23273	8 Aug., 1907	58	23 July.
Rifle. (See Magazine rifle.)					
Ripener. (See Liquid-ripenener.)					
Riveting leather, canvas, &c.	J. K. Anderson	23315	19 Aug., 1907	61	6 Aug.
Road-vehicle axle	A. G. E. S. Societa in accomandita semplice per l'Esercizio dei Brevetti Granieri	24889	2 Sept. ..	79	15 Oct.
Road-vehicle-suspension arrangement ..	F. Walton	24908	9 Sept. ..	85	29 Oct.
Roadway	F. Basham	24777	10 Aug. ..	75	1 Oct.
Roofing-iron cutter. (See Metal-shearing tool.)					
Rotary cement-kiln	A. J. Park	24607	1 July ..	75	1 Oct.*
Rotary cement-kiln	F. M. Allan	24909	9 Sept. ..	75	1 Oct.*
Rotary harrow	A. C. Anderson	24059	25 Feb. ..	61	6 Aug.
Rotary printing-machine for sales-book ..	C. B. Smith	24913	10 Sept. ..	85	29 Oct.
Rotary pump	J. L. Hanman	24819	20 Aug.

ALPHABETICAL LIST OF INVENTIONS—continued.

Invention.	Name.	Application.		Gazette.	
		No.	Date.	No.	Date.
Running out wire. (See Barbed-wire running out.)					
Sack-filling device	C. F. Millward	24882	31 Aug. ..	79	15 Oct.*
Safe. (See Cool-storage safe.)					
Safety life-guard for tram-car	T. Belcher and J. Hally	24892	3 Sept. ..	79	15 Oct.*
Salt-purifying apparatus	E. R. Royston	24643	11 July ..	64	20 Aug.
Sash. (See Reversible sash.)					
Saw-frame spacing-device	F. H. Mander	24991	30 Sept. ..	79	15 Oct.*
Scale, preventing formation of, in boilers	W. Wiggins	24957	21 Sept.
Scent, &c., sprayer	J. Blau	24636	9 July ..	75	1 Oct.
School-desk	W. H. Riddell	24625	6 July ..	61	6 Aug.*
School-desk	J. Strassmeyer	24715	23 July ..	64	20 Aug.
Scoop. (See Railway snow-scoop.)					
Scrub-cutter	W. J. McElroy	24919	14 Sept. ..	79	15 Oct.*
Scrub-tucker for plough	R. Andrews	24728	28 Aug. ..	72	17 Sept.
Seaming-machine	F. H. Andrews	24809	19 Aug. ..	69	3 Sept.
Self-playing musical instrument	I. B. Smith	24494	2 June ..	69	3 Sept.
Separator. (See Magnetic separator, Metal-separating apparatus.)					
Sewage system	I. Shone and E. Ault	23294	14 Aug. ..	64	20 Aug.
Sewing-machine	United Shoe Machinery Company	24932	17 Sept. ..	79	15 Oct.*
Shears. (See Metal-shearing tool.)					
Sheep-dipping apparatus	A. F. Kinney	24881	3 Sept. ..	79	15 Oct.*
Sheep-shearing machine	W. F. Crawford	23389	27 Aug., 1907	58	23 July.
Sheep-shearing machine	F. J. Cullen	24871	1 Sept. ..	75	1 Oct.*
Sheep-shearing-machine driving-mechanism	P. Boll and R. Falkiner	23718	6 Aug., 1907†	64	20 Aug.
Ship's-course indicator	S. Fraser, C. Jumeaux, and S. E. Fraser	24735	29 July ..	61	6 Aug.*
Shirt. (See Tennis-shirt.)					
Shirt-collar	J. L. Vipond and R. Williams	24804	15 Aug. ..	69	3 Sept.*
Shirt-cuff fastener and protector	E. G. Langton	23528	27 Sept., 1907	69	3 Sept.
Shoe. (See Boot and shoe.)					
Shoe-machine jack	United Shoe Machinery Company	23716	14 Nov., 1907	72	17 Sept.
Shoe-manufacture	United Shoe Machinery Company	23597	16 Oct., 1907	69	3 Sept.
Shoette-upper	J. R. Kent	24857	31 Aug. ..	75	1 Oct.*
Shooting, teaching. (See Rifle, &c.)					
Shoulder-strap, skirt-holder, &c.	E. Nesbitt	24354	5 May ..	72	17 Sept.
Sign. (See Revolving sign.)					
Signal. (See Railway signal, Flash-signal apparatus.)					
Silicious ores, recovering nickel from	A. Chalas	24944	19 Sept.
Siphon-head, porcelain-lined	O. L. Eugster	24899	6 Nov., 1907†	79	15 Oct.
Skeith, &c., for plough	R. Andrews	24728	28 Aug. ..	72	17 Sept.
Skirt-cutting chart	A. F. Billing	24752	31 July ..	72	17 Sept.
Skirt-holder. (See Shoulder-strap, &c.)					
Sleeper. (See Railway-sleeper.)					
Sliding-gate and locking-device	P. Zerbino	24767	7 Aug. ..	72	17 Sept.
Smoke-consumer, &c.	C. N. Chandler and G. Dow	24599	2 July ..	75	1 Oct.
Smoke-preventer, &c.	W. J. and G. Storey, G. McGregor, and W. G. Higgs	24596	2 July ..	69	3 Sept.
Smoking-pipe	M. Ruddy	24868	1 Sept.
Snow-board	J. M. Taylor and H. Oakley	24634	8 July ..	61	6 Aug.*
Snow-scoop	L. Hayes	24831	20 Aug. ..	72	17 Sept.*
Solar motor	F. Shuman	24934	17 Sept.
Sole. (See Boot-sole.)					
Sound-record manufacture	J. W. Owen	21964	23 Sept., 1907†
Spanner	J. W. McCarty	24975	25 Sept. ..	85	29 Oct.
Spanner and hammer	W. J. O'Connor	23421	27 Aug., 1907	64	20 Aug.
Spark-extinguisher	E. Hope	24858	31 Aug. ..	79	15 Oct.*
Spectacles	H. Spear	23822	12 Dec., 1907	75	1 Oct.
Speed-gear	F. W. Coker	24638	7 July ..	61	6 Aug.*
Spoil-pipe. (See Flexible-jointed spoil-pipe.)					
Spouting-bracket	C. S. Elmsley, J. H. R. Taylor, and P. Bates	24797	13 Aug. ..	75	1 Oct.
Spouting-bracket	F. E. Bythell	24941	18 Sept.
Sprayer. (See Scent-sprayer, Water-sprayer.)					
Staff-working of railways, &c.	W. H. McGeever	24821	20 Aug. ..	72	17 Sept.*
Stamp. (See Postage-stamp.)					
Staple. (See Boot-staple, Metallic staple.)					
Steam-boiler furnace	J. Pomeroy	24793	13 Aug. ..	69	3 Sept.*
Steam-turbine	A. Cederman and J. Peake, jun.	24974	25 Sept.
Steamer, stern-tube of	A. Morrison	24987	29 Sept. ..	85	29 Oct.
Steel-preserving compound	C. F. Lungley	24714	23 July ..	69	3 Sept.*
Steering. (See Manual propeller, &c.)					
Stitch-impression. (See Boot-stitch, &c.)					
Stocking-supporter, &c.	E. Nesbitt	24354	5 May ..	72	17 Sept.
Strainer. (See Fencing-strainer, Milk-strainer, Wire-strainer.)					

ALPHABETICAL LIST OF INVENTIONS—*continued.*

Invention.	Name.	Application.		Gazette.	
		No.	Date.	No.	Date.
Stranded vessels. (See Vessel-raising.)					
Straw-hat manufacture	F. Wright	24668	14 July	64	20 Aug.
Strop. (See Razor-strop.)					
Suction cleaner. (See cleaner.)					
Suction dressing. (See Threshing-machine suction apparatus.)					
Sun-blind	E. J. Gee	23652	28 Oct., 1907	58	23 July.
Support. (See Bicycle-support, Book-support, Platform-support.)					
Surgical appliance. (See Electro-surgical appliance.)					
Suspender	C. W. Ziele and W. S. Ziele	24968	21 Sept.
Suspender. (See also Curtain lifter and suspender.)					
Swing-cot. (See Hammock and swing-cot.)					
Swingletree and draught-equaliser	H. Childs	24681	15 July	69	3 Sept.
Table. (See Folding-table, Revolving-table.)					
Table-bowls	R. Frew	24635	6 July	69	3 Sept.
Talking-machine	L. W. D. Andrews	24705	21 July	64	20 Aug.*
Talking-machine	J. M. Landon	24708	23 July	64	20 Aug.*
Talking-machine	J. A. Whitman	24723	22 July	72	17 Sept.
Tap. (See Beer-tap, Detachable tap, Water-tap.)					
Target	F. H. James	24762	4 Aug.	64	20 Aug.*
Teat-cup	A. Gillies	24788	12 Aug.	69	3 Sept.*
Teat-cup support	W. H. Blackham	22700	17 April, 1907	61	6 Aug.
Tedder. (See Mowing-machine tedder.)					
Teeth. (See Artificial denture.)					
Telephone-list holder	G. Hyde	24916	12 Sept.	79	15 Oct.*
Telephone-list and display-sheet	A. H. Wright	25001	28 Sept.
Tennis, &c., ball	F. Rowley	24591	12 July, 1907†	64	20 Aug.
Tennis-shirt	W. H. G. Geake	24815	20 Aug.	72	17 Sept.*
Threshing-machine suction apparatus	A. H. Anderson and H. C. Ell	24646	11 July	69	3 Sept.
Threshing-machine wearing-strip	G. Saunders	23565	8 Oct., 1907	61	6 Aug.
Thresher. (See Harvester and Thresher.)					
Time-table poster	W. F. Robinson	24856	31 Aug.	75	1 Oct.*
Tine harrow	J. W. Stewart	24651	13 July	64	20 Aug.
Tine and chain harrow	C. Grant	24981	24 Sept.	79	15 Oct.*
Tipping-lorry	J. Fitchett	24778	11 Aug.	72	17 Sept.*
Tipping-lorry	J. W. Hutchinson	24885	1 Sept.	79	15 Oct.*
Tire	C. D. Lightband	24627	7 July
Tire	A. Hollingworth	24658	14 July
Tire	E. Kempshall	24663	29 Aug., 1907
Tire-pump connection	The Continental C. and G. Rubber Company Proprietary, Limited	24680	15 July
Toaster and griller	G. Forsyth	24773	7 Aug.	72	17 Sept.*
Tool-handle	E. C. Austin	24594	1 July	58	23 July.*
Tool. (See Combination-tool, Metal-shearing tool, &c.)					
Tooth. (See Artificial denture.)					
Train, delivering mail-bag to moving	J. Williams	24898	8 Sept.	79	15 Oct.*
Tram-car, life-saving catcher for	T. Belcher and J. Hally	24892	3 Sept.	79	15 Oct.*
Tram-rail cleaner	H. Worthington	24976	28 Sept.
Tramway. (See Staff-working of tramway.)					
Trap. (See Animal-trap, Rabbit-trapping device.)					
Treeing-machine. (See Boot.)					
Trimmer. (See Lawn-trimmer.)					
Trolley-head	C. S. Bayley	24764	3 Aug.	64	20 Aug.*
Trolley-head	G. M. Crawford	24890	3 Sept.	75	1 Oct.*
Trolley-pole controller	C. S. Bayley	24837	25 Aug.	75	1 Oct.*
Trolley-pole retriever	H. E. Wilson	24738	25 July	64	20 Aug.*
Trolley-pole retriever	H. E. Wilson	24878	31 Aug.	75	1 Oct.*
Trouser-clip	L. Packer	24774	10 Aug.	69	3 Sept.*
Trowel. (See Gardening-trowel.)					
Tub. (See Washing-tub.)					
Tube or ball mill	A. James	24732	28 July	72	17 Sept.
Turbine. (See also Steam-turbine.)					
Turbine	J. Marks	24657	11 July	61	6 Aug.*
Turbine	J. F. Brady	24818	20 Aug.	75	1 Oct.
Turnip, removing, from throats of cattle	W. A. Jellyman	24602	2 July	61	6 Aug.*
Typographical composing-machine	J. T. Hunter	24702	21 July	69	3 Sept.
Typographical composing-machine	J. T. Hunter	24906	10 Sept.	79	15 Oct.
Umbrella-clip. (See Hat-clip, Book-clip, and Umbrella-clip.)					
Umbrella-holder for vehicle	E. Downey	24839	21 Aug.	72	17 Sept.*
Underpants	W. G. Walden and W. W. Wright	24855	29 Aug.	72	17 Sept.
Upper. (See Shoette-upper.)					

ALPHABETICAL LIST OF INVENTIONS—continued.

Invention.	Name.	Application.		Gazette.	
		No.	Date.	No.	Date.
Vacuum cleaner. (See Cleaner.)					
Vacuum milking-machine	J. Blake	24733	28 July ..	75	1 Oct.
Vacuum milking-machine	W. H. Blackham	24796	13 Aug. ..	72	17 Sept.
Valve. (See Gas-cut-off.)					
Valve mechanism	A. Kilborn	24843	26 Aug. ..	75	1 Oct.
Valve-stem for pneumatic tire	W. Carr	24608	1 July
Vaporiser or condenser	C. J. A. Gottlieb	24592	1 July ..	64	20 Aug.
Vapour-lamp. (See Incandescent vapour-lamp.)					
Vehicle. (See Road-vehicle, Umbrella-holder for vehicle.)					
Vehicle-tire. (See Tire.)					
Ventilator for buildings	J. H. Beamish	24955	19 Sept. ..	79	15 Oct.*
Vessel-holder	W. H. D. Newth	24600	2 July ..	61	6 Aug.
Vessel-raising apparatus	W. F. Wall	24689	20 July ..	69	3 Sept.
Vessel's course, recording	J. and S. E. Fraser and C. Jumeaux	24735	29 July ..	61	6 Aug.*
Visible gas for testing pipes, &c. ..	F. S. Green	24711	6 April† ..	85	29 Oct.
Wall-covering. (See Metal covering for buildings.)					
Walling and partitions	J. Mitchell	24166	20 March ..	72	17 Sept.*
Washer. (See Dish-washer.)					
Washing-boiler	A. H. Wood	23587	10 Oct., 1907	61	6 Aug.
Washing-machine. (See Clothes, &c., washing-machine.)					
Washing-tub	R. H. Johnson	24770	3 Aug.
Washstand	J. B. Moir	24891	3 Sept. ..	79	15 Oct.
Water-closet flush	W. Turnbull	24614	4 July ..	64	20 Aug.
Water-closet cistern	W. Ward and A. L. J. Tasker	23921	27 July ..	61	6 Aug.
Water-sprayer	G. C. Munns	23768	27 Nov., 1907	72	17 Sept.
Water-tap	M. Kreissig	24669	14 July ..	61	6 Aug.
Wax and oil extractor	J. C. Hobbs	24827	19 Aug. ..	75	1 Oct.*
Wearing-strips. (See Threshing-machine.)					
Weatherboarding for building	T. Martyn	24781	11 Aug.
Weather-stop for window	W. T. Johnson	23854	23 Dec., 1907	69	3 Sept.
Weed. (See California-thistle extermination.)					
Weed-destroying machine	W. Sim	24684	13 July ..	61	6 Aug.*
Weighing predetermined quantities ..	W. T. Jenkin	24833	22 Aug. ..	75	1 Oct.*
Welt. (See Boot-welt.)					
Wheel. (See Motor-car wheel.)					
Whipple-tree	S. H. Day	24649	11 July ..	64	20 Aug.*
Winding-machine. (See Printing and winding machine.)					
Window. (See Anti-rattler for window, Reversible window-sash, Weather-stop for window.)					
Window-lock	O. C. C. Chapman	24616	6 July ..	61	6 Aug.*
Wire cloth. (See Fireproof-wire cloth.)					
Wire, running out. (See Fencing-wire, &c.)					
Wire-strainer	J. H. Tink	24894	5 Sept. ..	79	15 Oct.*
Wire-strainer	W. C. Wright	24655	11 July
Wire-strainer	J. A. Murchison	24951	17 Sept.
Wire-strainer	E. P. Crowe	24791	13 Aug. ..	69	3 Sept.*
Wood, impregnating with fluids	M. Ruping	23532	30 Sept., 1907	64	20 Aug.
Wool and hemp bale, introducing certificates, &c.	J. D. McLaurin	23569	10 Oct., 1907	61	6 Aug.
Wool, detecting moisture. (See Moisture, determining, &c.)					
Woolpack	C. Loames	24639	10 July ..	61	6 Aug.*
Wringer. (See Mop-wringer.)					

Alphabetical List of Applicants for Registration of Trade Marks.

A LPHABETICAL list of applicants for registration of trade marks for quarter ending 30th September, 1908 (including also applications lodged prior to but gazetted during such quarter).

* Denotes an application under section 98 of the Act.

Name.	Address.	Class.	Application.		Gazette.	
			No.	Date.	No.	Date.
Actiengesellschaft Der Eisen-Und Stahlwerke vorm Georg Fischer	Schaffhausen, Switzerland	13	7417	1 July ..	85	29 Oct.
Allcock Manufacturing Company ..	New York, U.S.A., and Birkenhead, Eng.	3	7461, 2, 3	24 July
Allcock Manufacturing Company ..	New York, U.S.A. ..	3	7573	22 Sept. ..	75	1 Oct.
Arkell and Douglas Incorporated ..	Melbourne, Vic. ..	42	7448	17 July ..	61	6 Aug.
Asociacion de Fabricantes de Tabacos de la Habana	Havana, Cuba ..	45	7518	19 Aug.
Australian Kodak, Limited ..	Abbotsford, Vic. ..	1	7489, 92	10 Aug. ..	64	20 Aug.
Australian Kodak, Limited ..	Abbotsford, Vic. ..	8	7494, 5	10 Aug. ..	64	20 Aug.
Australian Kodak, Limited ..	Abbotsford, Vic. ..	39	7491, 3, 7, 7498	10 Aug. ..	64	20 Aug.
Australian Kodak, Limited ..	Abbotsford, Vic. ..	8, 39	7490, 6	10 Aug.
Bagley and Wright, Limited ..	Manchester, Eng. ..	23	7542	1 Sept. ..	72	17 Sept.
Bailly, P., and Cie ..	Paris, France ..	38	7473	29 July ..	64	20 Aug.
Bain, J. E. ..	Christchurch, N.Z. ..	48	7566	14 Sept. ..	75	1 Oct.
Balsa Hermanos ..	Vera Cruz, Mexico ..	45	7440	11 July ..	64	20 Aug.
Bartlett, W. H. ..	Auckland, N.Z. ..	39	7476, 8	30 July ..	72	17 Sept.
Bartlett, W. H. ..	Auckland, N.Z. ..	39	7477	30 July
Beckett, F. P. ..	Christchurch, N.Z. ..	42	7568	17 Sept. ..	75	1 Oct.
Benjamin, D., and Co. ..	Dunedin, N.Z. ..	14	7479	30 July ..	64	20 Aug.
Berry, H., and Co. ..	Christchurch, N.Z. ..	42	7415	1 July ..	58	23 July.
Billson, H. E. ..	Christchurch, N.Z. ..	50	7451	18 July
Bishop and Sons. (See Finsbury Distillery Company.)						
Bowron Bros., and Co., Limited ..	Christchurch, N.Z. ..	37	7560	11 Sept. ..	75	1 Oct.
Braadland, J. ..	Stavanger, Norway ..	42	7546	2 Sept. ..	72	17 Sept.
Braby, F., and Co., Limited ..	London, Eng. ..	14	7480	30 July ..	64	20 Aug.
Brown and Sons ..	Te Kopuru, N.Z. ..	3	7529	25 Aug.
Bryant and May, Limited ..	London, Eng. ..	47	7443	14 July ..	64	20 Aug.
Bryant and May, Limited ..	London, Eng. ..	47	7574	22 Sept. ..	75	1 Oct.
Buchanan Foster Company ..	Philadelphia, U.S.A. ..	17	6873	15 Aug., 1907	72	17 Sept.
Candy, R., and others ..	Melbourne, Vic. ..	3	7457, 8	23 July ..	61	6 Aug.
Canterbury Frozen Meat and Dairy Produce Company, Limited	Christchurch, N.Z. ..	42	7570	17 Sept. ..	75	1 Oct.
Caribonum Company, Limited ..	Leyton, Eng. ..	39	7416	1 July ..	58	23 July.
Caselberg, L., and Co., Limited ..	Wellington, N.Z. ..	44	7580	24 Sept.
Champion and Slee, Limited ..	London, Eng. ..	15	7501	11 Aug. ..	64	20 Aug.
Champion and Slee, Limited ..	London, Eng. ..	42	7502	11 Aug. ..	69	3 Sept.
Chassaing and Cie ..	Paris, France ..	42	6424	14 Jan., 1907	64	20 Aug.
Chrystall and Co. (See Neill and Co., Limited.)						
Collett and Co. ..	New Plymouth, N.Z. ..	42	7587, 8, 7590, 1, 2	29 Sept. ..	79	15 Oct.
Collett and Co. ..	New Plymouth, N.Z. ..	42	7589	29 Sept.
Cooper, W., and Nephews..	Berkhamsted, Eng. ..	2	7420, 1	1 July ..	54	9 July.
Cooper, W., and Nephews..	Berkhamsted, Eng. ..	2	7470, 1	28 July ..	61	6 Aug.
Cycle and Motor Supplies, Limited ..	Wellington, N.Z. ..	6	7512	14 Aug. ..	64	20 Aug.
Daglish, J. ..	Mosgiel, N.Z. ..	3	7426	7 July ..	58	23 July.
Daglish, J. ..	Mosgiel, N.Z. ..	3	7548	2 Sept. ..	72	17 Sept.
Daglish, J. ..	Mosgiel, N.Z. ..	3	7547	2 Sept. ..	75	1 Oct.
Dampney, J., and Co., Limited ..	Cardiff, Wales ..	1	7520	21 Aug. ..	69	3 Sept.
Davies, G. ..	Christchurch, N.Z. ..	38	7452	18 July
De La Rue, T., and Co., Limited ..	London, Eng. ..	39	7521	21 Aug. ..	69	3 Sept.
Dewhurst, J., and Sons, Limited ..	Skipton, Eng. ..	23	7543	1 Sept. ..	72	17 Sept.
Dick, F. (See P. Dick.)						
Dick, P. ..	Wurtemberg, Ger. ..	13	7585	28 Sept. ..	79	15 Oct.
Dickie, W. ..	Waverley, N.Z. ..	42	7427	7 July ..	58	23 July.
Dillicar Bros. ..	Hamilton, N.Z. ..	42	7429	8 July ..	64	20 Aug.
Dixon, E. S. ..	Palmerston North, N.Z. ..	15	7531	25 Aug. ..	72	17 Sept.
Drake, J. F. ..	Milton, N.Z. ..	42	7581	25 Sept.
Drake, J. R., and others ..	Melbourne, Vic. ..	3	7457, 8	23 July ..	61	6 Aug.
Dufaur, E. B. ..	Auckland, N.Z. ..	42	7475	30 July ..	61	6 Aug.
Dufaur, E. B. ..	Auckland, N.Z. ..	42	7579	24 Sept. ..	79	15 Oct.
Escoffier (1907), Limited ..	London, Eng. ..	42	7419	1 July ..	85	29 Oct.
Farbwerke vorm Meister Lucius and Brüning	Hoechst, Ger. ..	3	7522	21 Aug. ..	69	3 Sept.
Farmer's Sanitary Pan Company of New Zealand	Auckland, N.Z. ..	2	7564	12 Sept. ..	75	1 Oct.
Fergusson, A., and Co., Limited ..	Glasgow, Scot. ..	1	7486	7 Aug. ..	64	20 Aug.
Field and Co., Fruit-merchants, Limited	London, Eng. ..	42	7312	11 May ..	72	17 Sept.

ALPHABETICAL LIST OF APPLICANTS FOR REGISTRATION OF TRADE MARKS—continued.

Name.	Address.	Class.	Application.		Gazette.	
			No.	Date.	No.	Date.
Finsbury Distillery Company ..	London, Eng. ..	42	7571	22 Sept.
Flyger, C. T.	Palmerston North, N.Z. ..	42	7586	29 Sept. ..	85	29 Oct. ..
Frew, R.	Dunedin, N.Z. ..	49	7485	7 Aug. ..	69	3 Sept. ..
Froggatt, T. C., and another ..	Walsall, Eng. ..	37	7092	8 Jan. ..	64	20 Aug. ..
Gallaher, Limited	Belfast, Ireland ..	45	7536	26 Aug. ..	85	29 Oct. ..
Gandy Belt Manufacturing Company, Limited ..	Seacombe, Eng. ..	25	7300	5 May ..	72	17 Sept. ..
Garland and Son, T. H.	Auckland, N.Z. ..	42	7425	4 July ..	58	23 July. ..
Giles, J., and Sons, Limited ..	Bristol, Eng. ..	50	7558	10 Sept.
Gillette Safety-razor Company ..	Boston, U.S.A. ..	12	7433	11 July ..	58	23 July. ..
Glasgow Lead and Colour Works. (See A. Fergusson and Co., Limited.)						
Gollin and Co., Proprietary, Limited	Wellington, N.Z. ..	38	7456	21 July ..	79	15 Oct. ..
Greathead, R. (See W. Reed, jun., J. R. Drake, and R. Candy.)						
Great Northern Brewery, Limited ..	Auckland, N.Z. ..	43	7516	17 Aug. ..	69	3 Sept. ..
Great Northern Brewery, Limited ..	Auckland, N.Z. ..	15, 42	7514, 5	17 Aug. ..	72	17 Sept. ..
Great Northern Brewery, Limited ..	Auckland, N.Z. ..	44	7517	17 Aug.
Green, T. H., and Co.	Christchurch, N.Z. ..	42	7511	14 Aug. ..	64	20 Aug. ..
Green, T. H., and Co.	Christchurch, N.Z. ..	42	7525	22 Aug. ..	69	3 Sept. ..
Guyot. (See P. Bailly and Cie.)						
Guyot, C. (See P. Bailly and Cie.)						
Hall, A. M.	Ellerslie, N.Z. ..	47	7565	12 Sept. ..	75	1 Oct. ..
Hamon, G. R.	Masterton, N.Z. ..	3	7528	25 Aug.
Hayman, P., and Co.	Wellington, N.Z. ..	22	7503	11 Aug. ..	64	20 Aug. ..
Hennessy, J.	Auckland, N.Z. ..	3	7464	25 July ..	61	6 Aug. ..
Hope-Johnstone, C. H. E.	Aramoho, N.Z. ..	42	7450	17 July ..	61	6 Aug. ..
Hughes and Cossar	Auckland and Wellington, N.Z. ..	42	7530	25 Aug. ..	72	17 Sept. ..
Ideal Concrete Machinery Company	South Bend, U.S.A. ..	18	7432	11 July
Indian Tea-planters' Combination ..	London, Eng. ..	42	7418	1 July
Jacobs and Co.	Dunedin, N.Z. ..	42	7441	14 July ..	58	23 July. ..
Johnson, E. M.	Woodville, N.Z. ..	42	7482	31 July ..	64	20 Aug. ..
Johnstone. (See Hope-Johnstone.)						
Kayser, Ellison, and Co., Limited ..	Sheffield, Eng. ..	5, 6, 12	7506, 7, 8	13 Aug. ..	64	20 Aug. ..
Kayser, Ellison, and Co., Limited ..	Sheffield, Eng. ..	13	7509	13 Aug.
Kendall, Dr. B. J., Company ..	Enosburg Falls, U.S.A. ..	2	7474	29 July ..	64	20 Aug. ..
King, N.	New Plymouth, N.Z.	7481	31 July
Leather-cloth Company, Limited ..	London, Eng. ..	36	7550, 1, 2, 3	3 Sept. ..	75	1 Oct. ..
Liebig's Extract of Meat Company, Limited	London, Eng. ..	42	7519	20 Aug. ..	69	3 Sept. ..
Liggins and Froggatt. (See E. Liggins and T. C. Froggatt.)						
Liggins, E., and another ..	Walsall, Eng. ..	37	7092	8 Jan. ..	64	20 Aug. ..
Linotype and Machinery, Limited ..	London, Eng. ..	6	7504	12 Aug.
Litchfield, F. C.	East Tamaki, N.Z. ..	42	7499	11 Aug.
Lyles, J. W.	Christchurch, N.Z. ..	3	7487	10 Aug. ..	64	20 Aug. ..
Lyttle Bros.	Masterton, N.Z. ..	22	7449	17 July ..	61	6 Aug. ..
MacEwan, J. B., and Co., Limited ..	Wellington, N.Z. ..	42	7538	28 Aug. ..	72	17 Sept. ..
MacEwan, J. B., and Co., Limited ..	Wellington, N.Z. ..	42	7537	28 Aug.
Maspero Freres, Limited	London, Eng., and Cairo, Egypt ..	45	7442	14 July ..	61	6 Aug. ..
McConnell's Distillery, Limited ..	Stromness, Orkney, and London, England ..	43	7401	24 June ..	72	17 Sept. ..
Meister Lucius and Brüning. (See Farbwerke.)						
Millar and Giorgi	Palmerston North, N.Z. ..	38	7488	10 Aug.
Mitchell, G. D.	Prahran, Vic. ..	8	7459	23 July ..	61	6 Aug. ..
Moores, J., and Sons	Denton, Eng. ..	38	7505	13 Aug. ..	64	20 Aug. ..
Muralo Company	New York, U.S.A. ..	1	7545	1 Sept. ..	72	17 Sept. ..
Napier Brewery Company, Limited	Napier, N.Z. ..	43	7431	11 July ..	72	17 Sept. ..
Neill and Co., Limited	Christchurch, N.Z. ..	42	7540	1 Sept. ..	75	1 Oct. ..
New Zealand Powell Wood Process, Limited	Rangataua, N.Z. ..	50	7567	16 Sept. ..	75	1 Oct. ..
New Zealand Provision and Produce Company (W. Wood, Proprietor)	Christchurch, N.Z. ..	47	7526	22 Aug. ..	75	1 Oct. ..
Noilly, Prat, and Cie	Marseilles, France ..	43	7422	2 July ..	58	23 July. ..
North-western Cyanamide Company, Limited	London, Eng. ..	2	7523	21 Aug. ..	69	3 Sept. ..
Paling, W. H., and Co., Limited ..	Sydney, N.S.W. ..	9	7423	2 July ..	58	23 July. ..
Pears, A. and F., Limited	London, Eng. ..	48	7513	15 Aug. ..	69	3 Sept. ..
Peek, Frean, and Co., Limited ..	London, Eng. ..	42	7468	28 July
Petrolite, Limited	Lambeth, Eng. ..	13	7447	16 July
Philips and Pike	Wellington, N.Z. ..	45	7467	28 July ..	61	6 Aug. ..

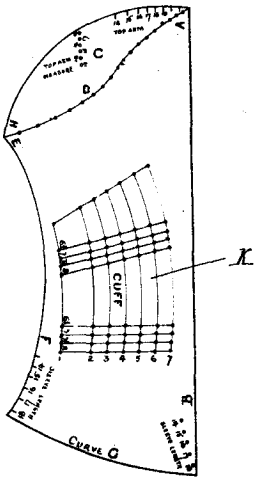
ALPHABETICAL LIST OF APPLICANTS FOR REGISTRATION OF TRADE MARKS—continued.

Name.	Address.	Class.	Application.		Gazette.	
			No.	Date.	No.	Date.
Philips and Pike	Wellington, N.Z. ..	45	7465, 6	28 July ..	64	20 Aug.
Pommery Fils and Cie, Lse. ..	Reims, France ..	43	7555	8 Sept.
Pommery Fils and Cie, Lse. ..	Reims, France ..	43	7556	8 Sept. ..	75	1 Oct.
Pommery Fils and Cie	Reims, France ..	43	7557	8 Sept. ..	85	29 Oct.
Price's Patent Candle Company, Limited	London and Battersea, Eng.	47	7460	23 July ..	61	6 Aug.
Reed, W., jun., and others	Melbourne, Vic. ..	3	7457, 8	23 July ..	61	6 Aug.
Robertson, R. T.	Wellington, N.Z. ..	43	7510	14 Aug. ..	64	20 Aug.
Robson, R., and another	Gore, N.Z.	48	7500	11 Aug.
Rose Perfumery Company	Wellington, N.Z. ..	48	7575	22 Sept.
Rosine Chemical Company	Wellington and Lower Hutt, N.Z.	42	7593	30 Sept. ..	79	15 Oct.
Royds Bros. and Kirk, Limited ..	Christchurch, N.Z. ..	42	7445	15 July ..	61	6 Aug.
Royds Bros. and Kirk, Limited ..	Christchurch, N.Z. ..	42	7444, 6	15 July ..	85	29 Oct.
Rue. (See De La Rue.)
Rutter, I., and Co.	Mitcham, Eng.	45	7576	23 Sept.
Safety Non-explosive Reservoir Company, Limited	London, Eng.	13	7541	1 Sept. ..	72	17 Sept.
Sankey, J., and Sons, Limited	Bilston, Eng.	13	7533, 4, 5	26 Aug. ..	72	17 Sept.
Sargood, Son, and Ewen, Limited ..	Dunedin and elsewhere, N.Z.	38	7483	4 Aug. ..	64	20 Aug.
Sargood, Son, and Ewen, Limited ..	Dunedin and elsewhere, N.Z.	38	7582	28 Sept. ..	79	15 Oct.
Schlaikier, H., and another	Gore, N.Z.	48	7500	11 Aug.
Scott, G.	Christchurch, N.Z. ..	42	7472	29 July ..	64	20 Aug.
Seaton, H. H.	Wellington, N.Z. ..	14	7549	3 Sept. ..	79	15 Oct.
Shacklock, H. E., Limited	Dunedin, N.Z.	6	7578	23 Sept. ..	75	1 Oct.
Sharland and Co., Limited	Auckland, N.Z.	1	7527	25 Aug. ..	69	3 Sept.
Shaw and Wood	Hastings, N.Z.	42	7554	5 Sept. ..	75	1 Oct.
Spinks, E.	Petone, N.Z.	3	7454	21 July ..	61	6 Aug.
Stone's. (See Finsbury Distillery Company.)
Suggate, F. C.	Auckland, N.Z.	18	7469	28 July ..	61	6 Aug.
Swift and Co.	Sydney, N.S.W.	42	7424	3 July ..	58	23 July.
Teacher, W., and Sons	Glasgow, Scot.	43	7532	26 Aug. ..	72	17 Sept.
Tingey, R. and E., and Co., Limited	Wellington, N.Z. ..	1	7577	23 Sept.
Tonkin and Co.	Dunedin, N.Z.	42	7583	28 Sept.
Tonkin and Co.	Dunedin, N.Z.	42	7584	28 Sept. ..	79	15 Oct.
Tootal, Broadhurst, Lee Company, Limited	Manchester, Eng. ..	24	7435, 6, 7, 8, 9	11 July ..	61	6 Aug.
Tootal, Broadhurst, Lee Company, Limited	Manchester, Eng. ..	24	7434	11 July
Tower, A. J., Company	Roxbury, U.S.A.	38	7544	1 Sept.
Trotman, H. W.	Wellington, N.Z. ..	42	7559	11 Sept. ..	75	1 Oct.
Tucker, W. F., and Co.	Auckland, N.Z.	42	7561, 2, 3	12 Sept. ..	75	1 Oct.
Union Oil Soap and Candle Company, Limited	Auckland, N.Z.	47	7569	17 Sept. ..	75	1 Oct.
Warnock Bros.	Auckland, N.Z.	47	7524	21 Aug. ..	69	3 Sept.
Watson and Co. (Leek), Limited ..	Leek, Eng.	23	7484	7 Aug. ..	69	3 Sept.
Watson, J., and Co., Limited	Dundee, Scot.	43	7430	8 July ..	69	3 Sept.
Wiggins, Teape, and Co., Limited ..	London, Eng.	39	7453	20 July ..	61	6 Aug.
Wiseman, J., and Sons, Limited ..	Auckland, N.Z.	37	7455	21 July
Wood, W. (See New Zealand Provision and Produce Company.)
Wood-Milne, Limited	Preston, Eng.	40	7572	22 Sept.
Wright, A. H.	Dunedin, N.Z.	49	7539	29 Aug. ..	72	17 Sept.
Wylie, W.	Wellington, N.Z. ..	42	7428	8 July ..	58	23 July.

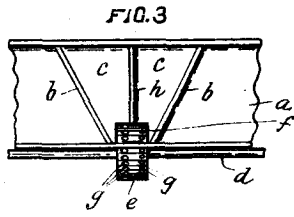
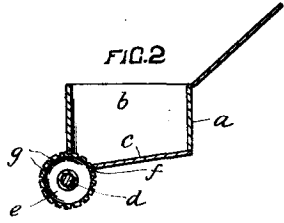
By Authority: JOHN MACKAY, Government Printer, Wellington.

ILLUSTRATIONS OF INVENTIONS.

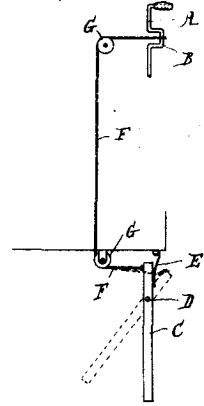
[These illustrations refer to the complete specifications accepted, and advertised in this *Gazette*.]



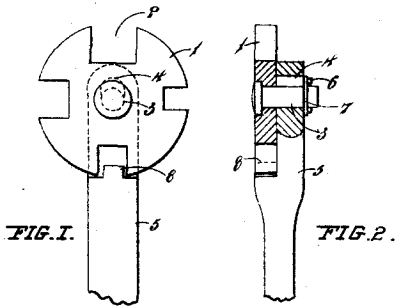
23621
Hunter. Dress-chart. (Charles.)



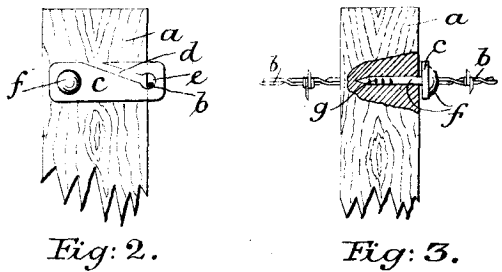
23585
Steffens. Seed-sower.



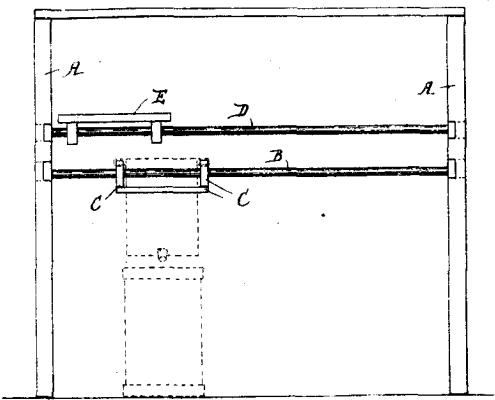
23832
Jahill. Brake-actuator.



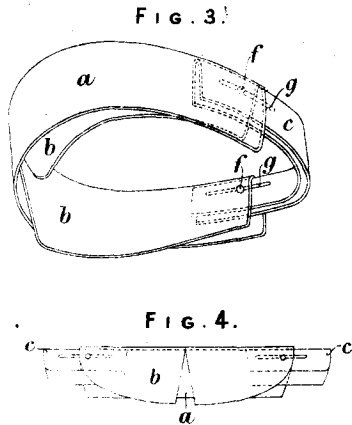
24975
McCarty. Spanner.



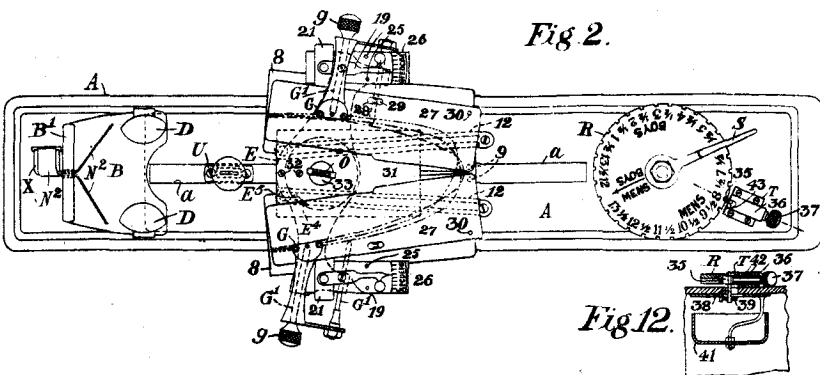
25023
McPharlin. Fencing Hook and Nail.



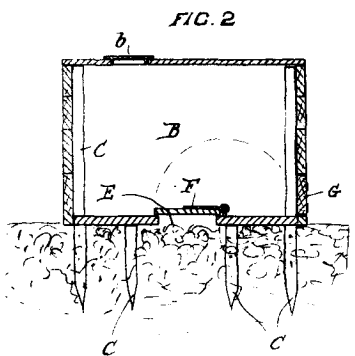
24998
Herrick. Milk-cooler.



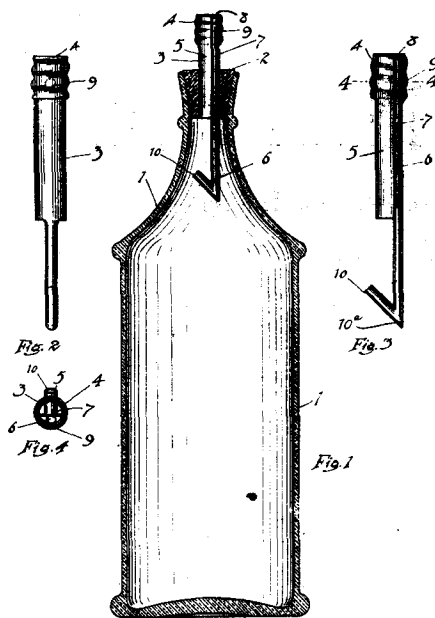
24142
Ehrhardt. Cuff-protector.



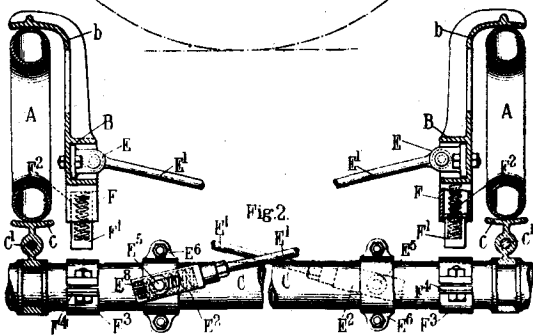
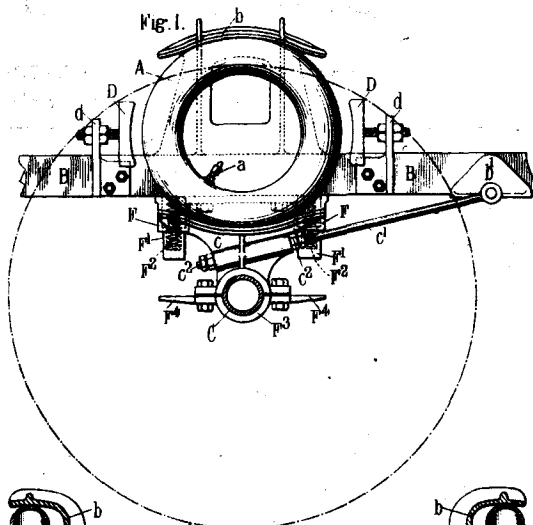
24986
Church. Feet-measure.



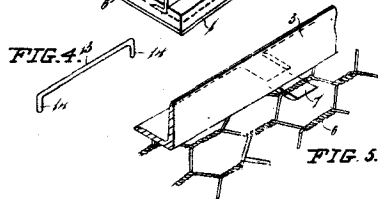
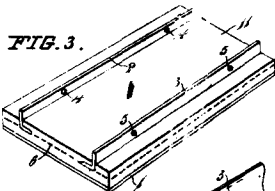
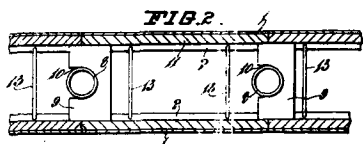
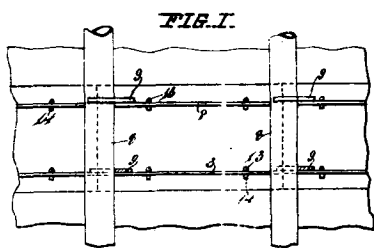
24958
Pannett. Lake-drainage System.



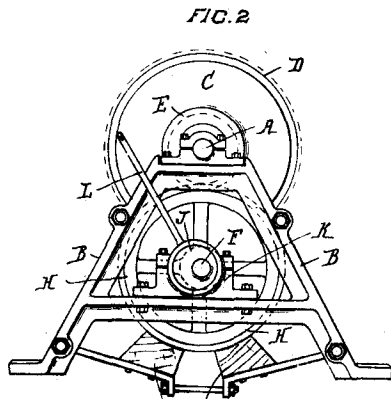
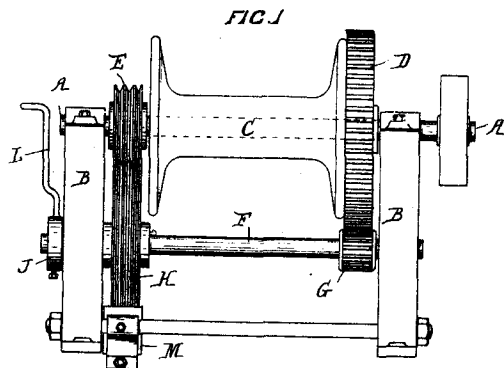
25037
Scott. Dispensing-stopper.



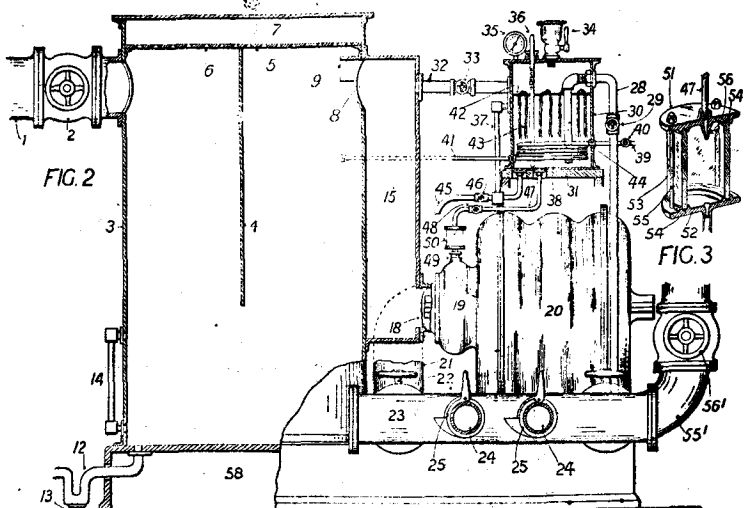
24908
Walton. Vehicle-suspension.



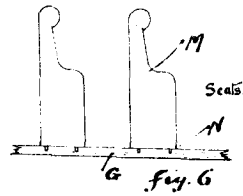
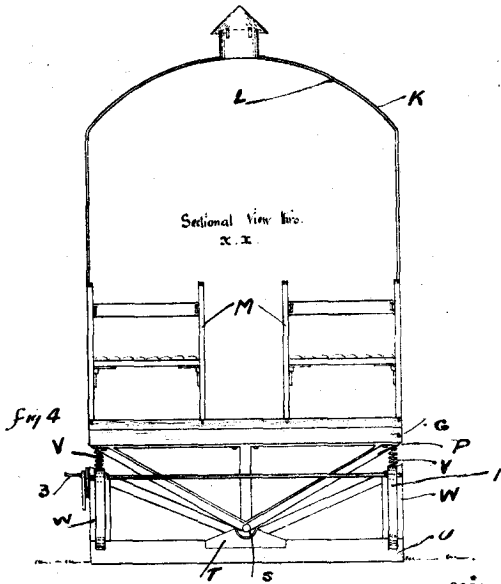
24988
Youelle and Bellingham. Ferro-concrete Construction.



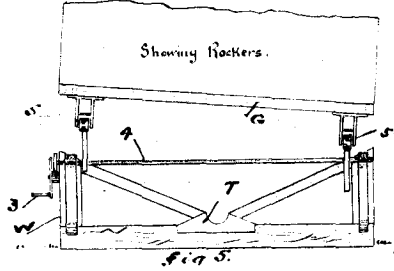
25036
Collett. Friction-winch.



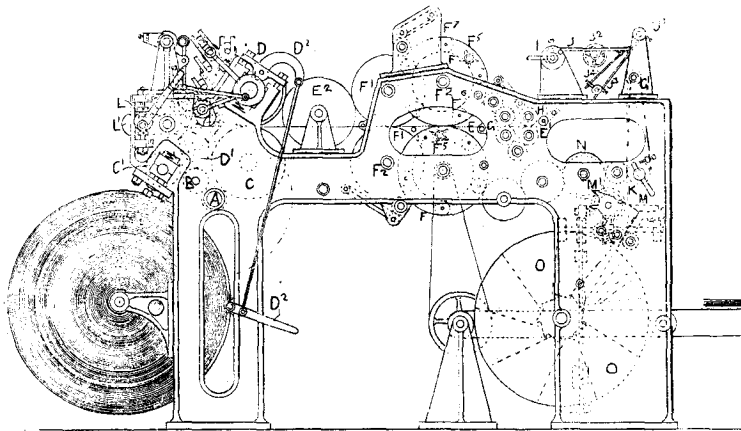
24959
Harker. Fumigator.



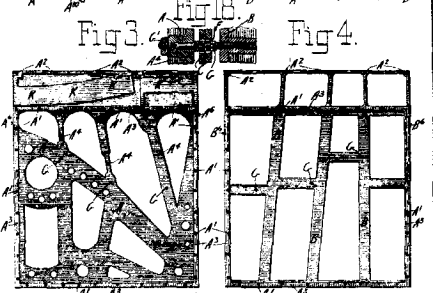
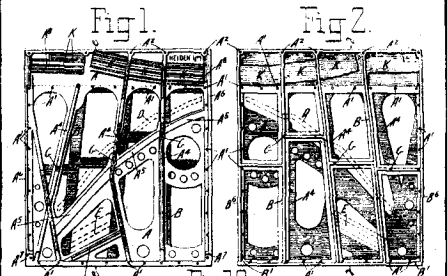
Scale 1/2 in.



23937 Richardson. Illusion Apparatus.

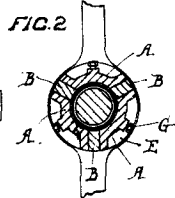
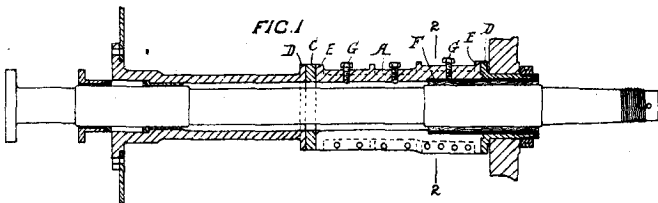


Smith. Printing-machine.



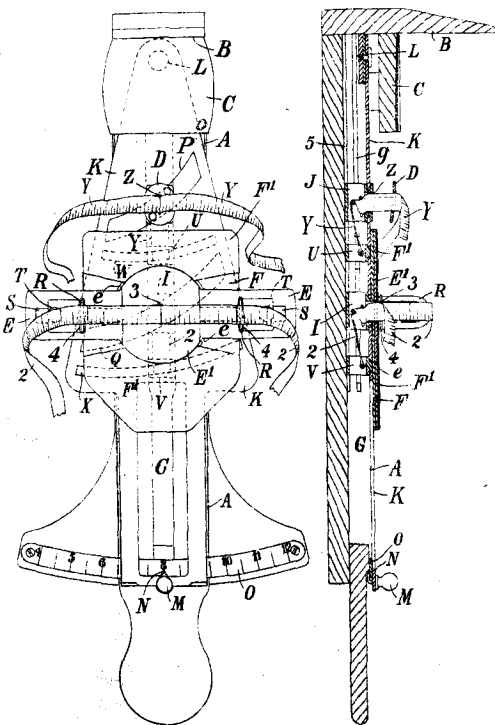
24977

Heiden. Pianoforte.

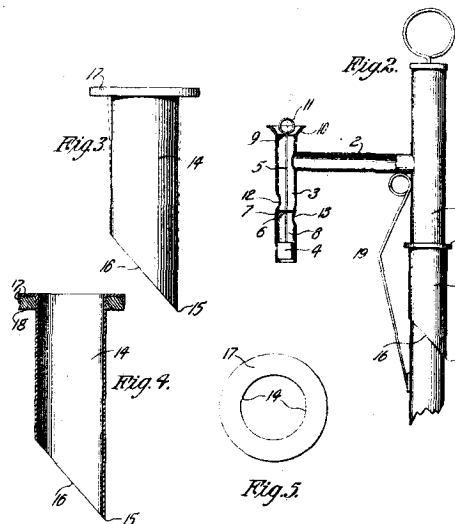


24987

Morrison. Stern-tube.

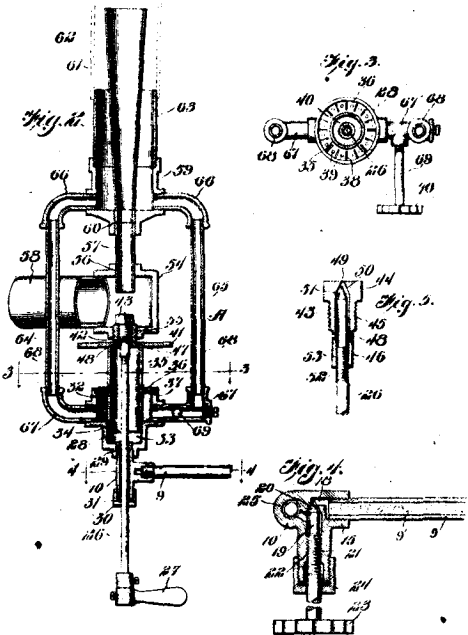


Church. Bootmakers' Measure.

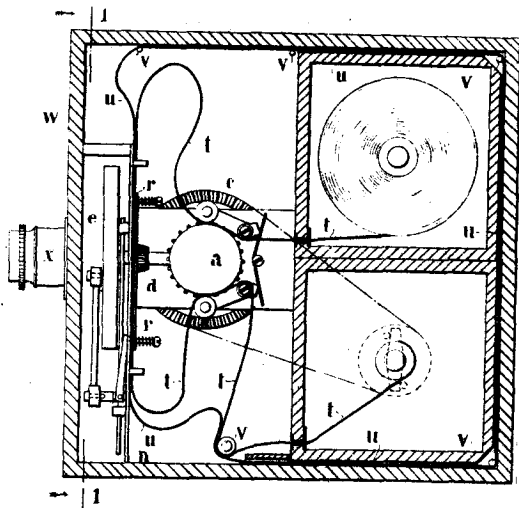


25033

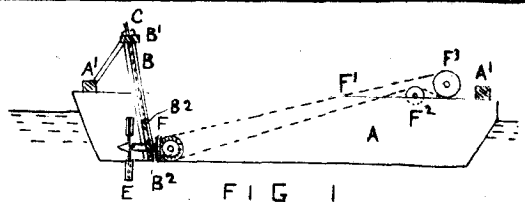
Jarrett. Kerosene-pump.



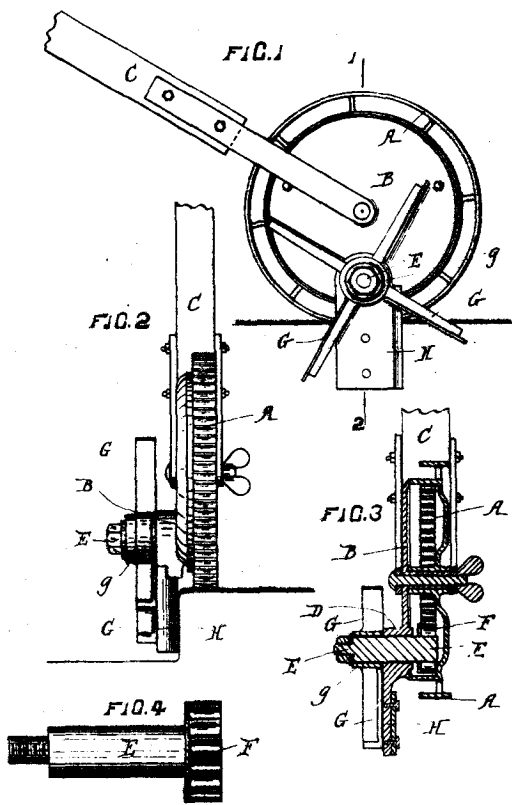
24645
Seehausen. Gas-generator.



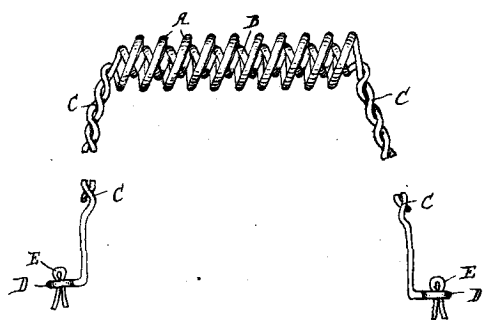
24922
Friesse-Greene Patents (Limited). Cinematograph. (Friesse-Greene.)



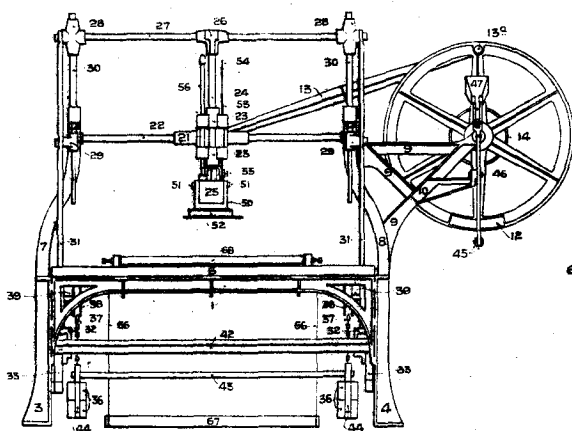
24973
Morton. Current-wheel.



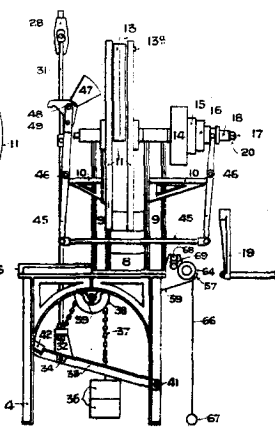
24964
Main. Lawn-trimmer.



24993
Gundrie. Bucket-handle.



25022
Paul. Ironing-machine.



25041
McPherson. Broom, &c., Bracket.